

GTC-1000EX

100t Telescopic Boom Crawler Crane



 **TADANO**

MANTIS
CRANES



MANTIS[®] CRANES



ACCESS WALKWAYS



EXTENSION, JIB AND AUGER

VERSATILE. POWERFUL. DEPENDABLE.

Tadano Mantis cranes are engineered as **VERSATILE**, heavy-duty machines. We match massive steel fabrications with diesel engines and state of the art hydraulics to provide a **POWERFUL** crane that meets the toughest demands in full load pick-and-carry as well as lift applications. **MANTIS** . . . the one **DEPENDABLE** crane that does it all on your jobsite

FEATURES

NO OTHER CRANE COMBINES SO MANY VALUABLE FEATURES:

- Pick-and-carry the full crane load chart through 360°.
- Lift and walk...even with tracks retracted.
- Climb steeper grades, thanks to minimized counterweight and low center of gravity.
- Pull through deep mud without bogging down.
- Telescope or lift the boom with a full load on the hook.
- Save time and money on the job due to low clearance height, retract on-the-fly tracks and telescopic boom.
- Independent hydrostatic track drives allow pivot turns and counter rotation.
- Hydraulic tool circuit option powers wide choice of Mantis-approved tools.
- New luxury cab with state-of-the-art operator aids.
- Saves time and money on deployment and shipping with less haul vehicles, less time wasted on boom erection and fewer personnel on the erection crew.



Large access doors, spacious machinery compartments simplify preventative maintenance and service of the crane.



Conveniently positioned cameras display the winch as well as the blind area directly behind the crane. Full color video display in operator cab is standard equipment.



Spacious cab, adjustable seat, and conveniently located controls are common in all Tadano Mantis Cranes.



State-of-the-art, user friendly rated capacity limiter provides continuous feedback of crane lift and position data.

SPECIFICATIONS

MAXIMUM LIFTING CAPACITY

100t at 2.5m

BOOM

4-section full power synchronized telescoping boom. Synchronized telescoping system consists of two double acting hydraulic cylinders with load holding valves and extension and retraction cables.

- Retracted Length: 12.8m
- Extended Length: 39 m
- Extension Time: 116 s
- Elevating Time: 74 s
- Elevating Angles: -1° to 80°
- Boom Head: Seven, 559 mm diameter cast nylon sheaves on heavy-duty roller bearings (5 load bearing and 2 lead in sheaves)
- Auxiliary Boom Head: Quick reeve, single 559 mm diameter high-strength, cast nylon sheave mounted on a heavy-duty roller bearing.
- Hook Block: 90t hook block - Five 508 mm diameter sheaves mounted on heavy duty roller bearings with swivel hook and safety latch.
- Headache Ball: 11t ball includes a swivel hook with a safety latch.

WINCHES

Planetary geared two-speed winch includes a bent axis hydraulic motor, multi-disc internal brake and counterbalance valve. Drum rotation indicator is included

- Main Winch
 - Rope Diameter and Length: 22mm x 260m
 - Single line pull: 106.8 kN (first layer)
 - Single line speed: 92.7 m/min (4th layer)
- Auxiliary Winch
 - Rope Diameter and Length: 22mm x 152m
 - Single line pull: 83.2 kN (first layer)
 - Single line speed: 123.4 m/min (at the 4th layer)

TRAVEL

Each side frame contains a pilot controlled, two-speed track drive with hydraulic axial piston motor and parking brake. Travel system provides skid steering and counter rotation.

- Low travel speed: 0.7 km/h
- High travel speed: 2.0 km/h
- Gradeability (unladen): 60%

LOAD MOMENT INDICATOR & ANTI-TWO BLOCK

Standard Rated Capacity Limiter and Anti-Two Block system

- Control function shutdown. Audible and visual warnings
- LCD screen provides a continuous display of working boom length, boom angle, working load radius, tip height, parts-of-line (operator set), machine track configuration, relative load moment, maximum permissible load and actual load.

OPERATOR'S CAB

Fully-enclosed, air conditioned all-steel modular cab with lockable swinging door, acoustical lining, anti-slip floor and tinted safety glass.

- Cab tilts 20° .
- Rear view cameras are appropriately located as are three remote control work lights.
- 2-speed windshield wiper, top glass wiper
- Six-way adjustable fabric seat with headrest, seat belt
- Seat and armrest termination switches immediately disable all hydraulic functions as the operator rises from the seat or lifts the left hand armrest.
- Access Walkways and Handrails

Dash instrumentation: tachometer, voltmeter, oil pressure gauge, temperature gauge, hour meter and fuel gauge. Indicators are provided for crane level, load moment, drum rotation, air filter restriction, hydraulic oil temperature and filter restriction, engine oil pressure and temperature.

ENGINE

- Make/ Model: Cummins QSM11
- Rating: 280 kW (375 hp) @ 2100 RPM

ELECTRICAL SYSTEM

12 VDC

COUNTERWEIGHT

Total 16,100 kg rear counterweight (Two pieces)

SWING

Gear motor driving a planetary gear reducer with a shaft mounted pinion, external gear shear ball slew bearing bolted to the superstructure and the carbody allows the superstructure to rotate 360°

- Swing Speed: 0 - 2 rpm
- Swing Parking Brake: Spring applied failsafe brake with hydraulic release that is controlled from the operators cab
- Swing Service Brake: Hydraulically applied, controlled through foot actuated pedal
- House Lock System: 2-position, manually pinned

HYDRAULIC SYSTEM

- Hydraulic Pumps: Two high pressure, variable axial piston pumps with load sense and power limiting control for crane functions. One variable axial piston pump for cooling loop
- Directional Valves: Multiple pressure and flow compensated valves with integrated relief valves controlled by hydraulic pilot signals.
- Pump output: 795 l/min @ 2100 RPM engine speed. 330 bar maximum pressure
- Filtration: 5 micron.

SIDE FRAMES

Two welded steel side frames are paired with a track group. The side frames extend and retract hydraulically and are controlled from the cab.

- Track Rollers: Two top and thirteen bottom sealed rollers on each track frame
- Idler: Oil filled, self lubricating with hydraulic tensioner
- Track Shoes: 900 mm 3-bar semi grouser

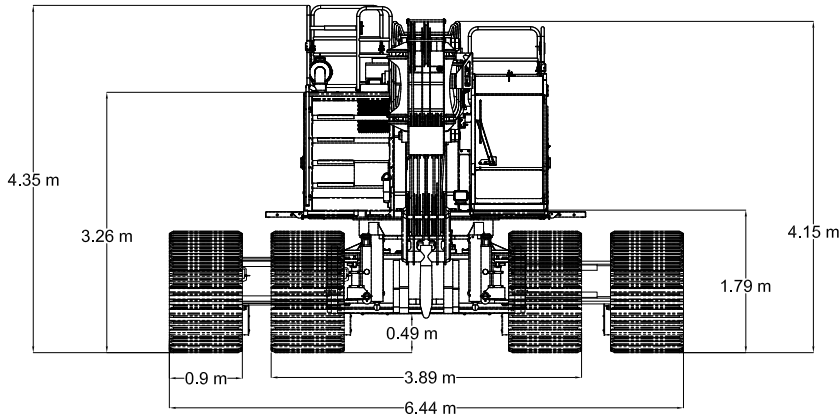
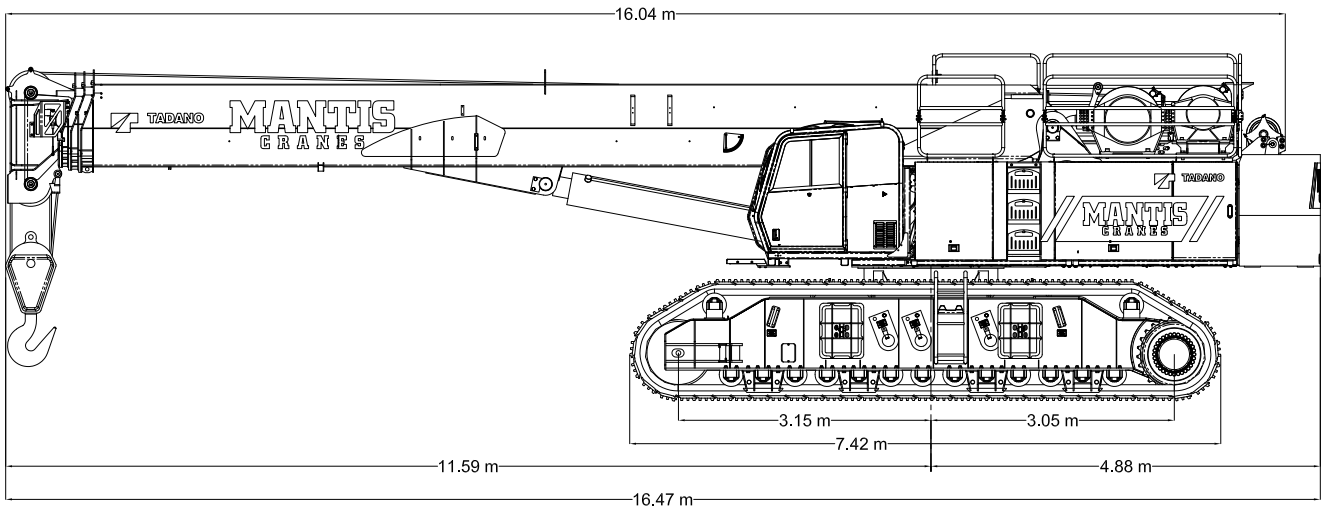
OPTIONAL EQUIPMENT

- Boom Extension: Lattice type, swing away
 - Length: 10.7m
 - Head: Two, 559 mm diameter cast nylon sheaves on heavy-duty roller bearings
 - Max. Lifting Height: 50.9 m
- Boom Jib: Lattice type, swing away, stores along boom extension
 - Length: 7.6m
 - Offset Angles: 15° & 30°
 - Max. Lifting Height: 58.4 m
- 63t hook block - Three 508mm steel sheaves, swivel hook & safety latch
- Auger Ready Package: Includes hoses, fasteners and stowage bracket assembly mounted to the base section of the boom with a flow capability of 130 liter/min
- Complete Auger Package: Adds a two speed auger motor/gear box and one 1,5m kelly bar to the Auger Ready Package.
- Tool Circuit: Provides 23 liter/min and 45 liter/min at 176 bar through a 15,24m twin hose reel with quick disconnect fittings to operate open center tools.
- Free Fall Hoists: All winches are available in controlled free fall configurations.
- 3-Color Light bar for external load indication
- Pole Claw: Heavy duty pole claw with hydraulic open/close and tilt.
- Travel Lever
- 100t hook block - Five 508mm steel sheaves, mounted on heavy-duty roller bearings with swivel hook & safety latch

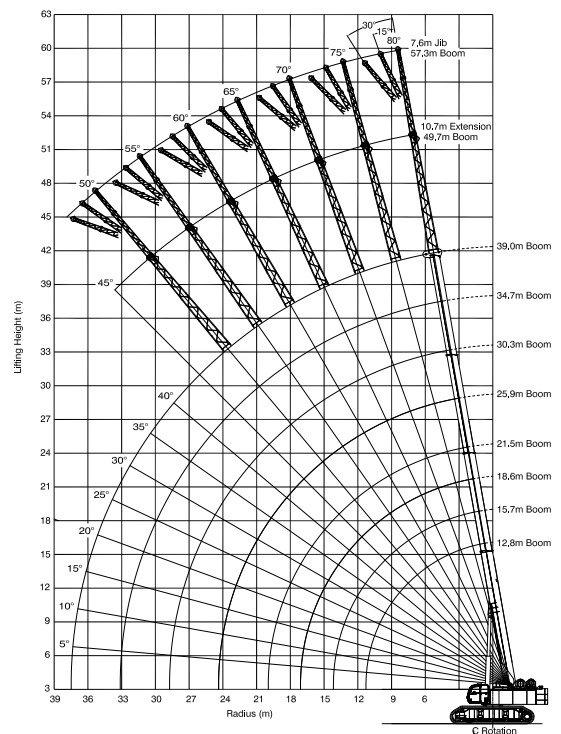
DIMENSIONS

GTC-1000EX

100t Telescopic Boom Crawler Crane



39M MAIN BOOM, 10,7M EXTENSION & 7,6M JIB



WIDTHS, WEIGHTS, AND GROUND PRESSURES*

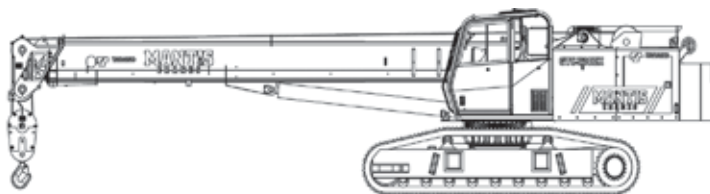
Shoe Width	Overall Width		Area	Ground Pressure	Working Weight
	Retracted	Extended			
900 mm	3.94 m	6.44 m	11.38 m ²	0.80 kg/cm ²	91,762 kg

* Crane equipped with: 39.0m boom, extension, jib, 90t hook block, and 11t headache ball

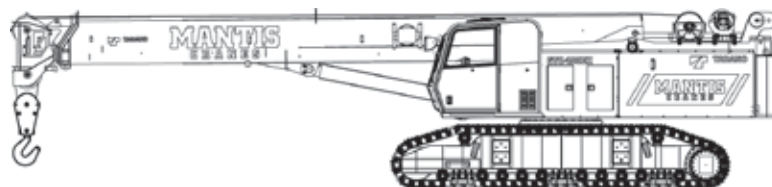
TADANO MANTIS CORPORATION

1705 Columbia Avenue • Franklin, TN 37064 USA • Toll-Free: 1-800-272-3325 • Fax: 615-790-6803 • mantiscranes.com

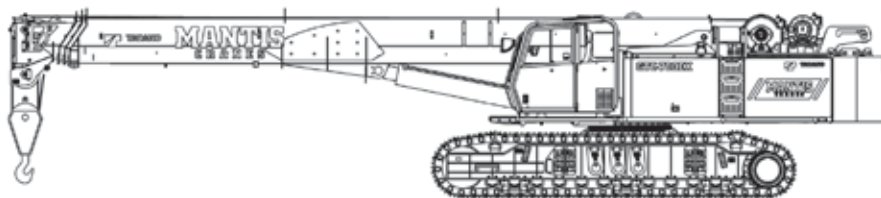
GTC-300EX 27t Telescopic Boom Crawler Crane



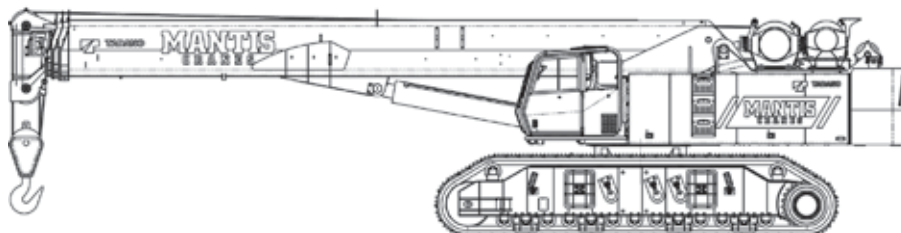
GTC-400EX 40t Telescopic Boom Crawler Crane



GTC-700EX 70t Telescopic Boom Crawler Crane



GTC-1000EX 100t Telescopic Boom Crawler Crane



TADANO Ltd., International Division

4-12, Kamezawa 2-chome,
Sumida-Ku, Tokyo 130-0014, Japan

Tel: +81 3 3621 7750

Fax: +81 3 3621 7785

E-mail: tdnihq@tadano.co.jp

www.tadano.co.jp/indexe.html

GTC-1000EX

100t Telescopic Boom Crawler Crane

SPECIFICATION SHEET NO. 543-10/11 ISO

GENERAL DATA

CRANE CAPACITY	100t at 2.5m
BOOM	4-section, 12.8 m – 39.0 m
DIMENSION	
Overall Length	16.47 m
Overall Width (tracks extended)	6.44 m
Overall Width (tracks retracted)	3.89 m
Overall Width (tracks removed)	3.24 m
Overall Height	4.35 m
MASS	
Gross Vehicle Mass (Standard Equipment Package)	91,762 kg
PERFORMANCE	
Travel Speed	0.7 km/h – 2.0 km/h
Gradability	60%

CRANE SPECIFICATION

MODEL

GTC-1000EX

CAPACITY

100t at 2.5m

BOOM

4-section full power synchronized telescoping boom. Synchronized telescoping system consists of two double acting hydraulic cylinders with load holding valves and extension and retraction cables.

- Retracted Length: 12.8m
- Extended Length: 39.0 m
- Elevating Angles: -1° to 80°
- Boom Head: Seven, 559 mm diameter cast nylon sheaves on heavy-duty roller bearings. (5 load bearing and 2 lead in sheaves)
- Extension Time: 116 s
- Elevating Time: 74 s

AUXILIARY BOOM HEAD

Quick reeve, single 559 mm diameter high-strength, cast nylon sheave mounted on a heavy-duty roller bearing.

- Hook Block: 90t hook block - Five 508 mm diameter sheaves mounted on heavy duty roller bearings with swivel hook and safety latch.
- Headache Ball: 11t ball includes a swivel hook with a safety latch

COUNTERWEIGHT

Total 16,100 kg (one piece 8,200 kg, one piece 7,900 kg)

WINCHES

Planetary geared two-speed winch includes a bent axis hydraulic motor, multi-disc internal brake and counterbalance valve. Drum rotation indicator is included (complete winch performance specs on Page 3)

- Main Winch
 - Rope Diameter and Length: 22mm x 260m
 - Single line pull: 106.8 kN (first layer)
 - Single line speed: 97.2 m/min (4th layer)
- Auxiliary Winch
 - Rope Diameter and Length: 22mm x 152m
 - Single line pull: 83.2 kN (first layer)
 - Single line speed: 123.4 m/min (at the 4th layer)

TRAVEL

Each side frame contains a pilot controlled, two-speed track drive with hydraulic axial piston motor and parking brake. Travel system provides skid steering and counter rotation.

- Low travel speed: 0.7 km/h
- High travel speed : 2.0 km/h
- Gradeability (unladen): 60%

SWING

Gear motor driving a planetary gear reducer with a shaft mounted pinion, external gear shear ball slew bearing bolted to the superstructure and the carbody allows the superstructure to rotate 360°

- Swing Speed: 0 - 2 rpm
- Swing Parking Brake: Spring applied failsafe brake with hydraulic release that is controlled from the operators cab
- Swing Service Brake: Hydraulically applied, controlled through foot actuated pedal
- House Lock System: 2-position, manually pinned

LOAD MOMENT INDICATOR

Standard Rated Capacity Limiter and Anti-Two Block system

- Control function shutdown. Audible and visual warnings
- LCD screen provides a continuous display of working boom length, boom angle, working load radius, tip height, parts-of-line (operator set), machine track configuration, relative load moment, maximum permissible load and actual load.
- Anti-two block weight allows quick reeving of hook block

FRAME

The frame is an all-steel, welded structure, precision machined to accept attachment of the boom and swing components.

OPERATORS CAB

Fully-enclosed, air conditioned all-steel modular cab with lockable swinging door, acoustical lining, anti-slip floor and tinted safety glass.

- Cab tilts 20°.
- Rear view cameras are appropriately located as are three remote control work lights.
- Vent window in the rear of the cab.
- Grab bars and steps are located for easy access to the cab.
- Defroster, heater, circulating fan
- 2-speed windshield wiper, top glass wiper
- Six-way adjustable fabric seat with headrest, seat belt
- Dome light
- Dry-chemical fire extinguisher
- Two-way armrest mounted hydraulic joysticks control swing, main winch, auxiliary winch and boom hoist. Hydraulic foot pedals control the travel, boom extend, and swing service brake functions.
- Seat and armrest termination switches immediately disable all hydraulic functions as the operator rises from the seat or lifts the left hand armrest.

Dash instrumentation: tachometer, voltmeter, oil pressure gauge, temperature gauge, hour meter and fuel gauge. Indicators are provided for crane level, load moment, drum rotation, air filter restriction, hydraulic oil temperature and filter restriction, engine oil pressure and temperature.

ENGINE

- Make/ Model: Cummins QSM11
- Type: 6 Cylinder, Water cooled, 4 Cycle
- Aspiration: Turbocharged and Aftercooled
- Max. Output: 280 kw (375 hp) @ 2100 RPM
- Max Torque: 1,898 Nm @ 1400 RPM
- Piston Disp: 10.8 liter
- Bore x Stroke: 107mm x 124mm
- Emission Cert: U.S. EPA Tier 3, Euromot Stage IIIA
- Alternator: 130 amp

ELECTRICAL SYSTEM

12 VDC

FUEL SYSTEM

- Capacity: 625 liter
- Filtration: Inline fuel/water separator and engine mounted fuel filter

SIDE FRAMES

Two welded steel side frames are paired with a track group. The side frames extend and retract hydraulically and are controlled from the cab.

- Track Rollers: Two top and thirteen bottom sealed rollers on each track frame Idler: Oil filled, self lubricating with hydraulic type tensioner
- Track Shoes: 900 mm, 3-bar semi grouser

HYDRAULIC SYSTEM

- Hydraulic Pumps: Two high pressure, variable axial piston pumps with load sense and power limiting control for crane functions. One variable axial piston pump for cooling loop
- Directional Valves: Multiple pressure and flow compensated valves with integrated relief valves controlled by hydraulic pilot signals.
- Pump output: 795 l/min @ 2100 RPM engine speed. 330 bar maximum pressure
- Reservoir: 1,400 liter capacity, spin-on filler/ breather, sight gauge, cleanout, and sump drain.
- Filtration: 5 micron, full flow tank mounted return filters with electrical clogging indicator. 5 micron pilot oil in-line pressure filter
- Diagnostic Ports: Provided for system, load sense, and pilot pressure

OPTIONAL EQUIPMENT

- Boom Extension: Lattice type, swing away
 - Length: 10.7 m
 - Head: Two, 559 mm diameter cast nylon sheaves on heavy-duty roller bearings
 - Max. Lifting Height: 50.9 m
- Boom Jib: Lattice type, swing away, stores along boom extension
 - Length: 7.6m
 - Offset Angles: 15° & 30°
 - Max. Lifting Height: 58.4 m
- 63t hook block - Three 508 mm steel sheaves, swivel hook & safety latch
- Auger Ready Package: Includes hoses, fasteners and stowage bracket assembly mounted to the base section of the boom with a flow capability of 130 l/min
- Complete Auger Package: Adds a two speed auger motor/gear box and one 1.52 m kelly bar to the Auger Ready Package.
- Tool Circuit: Provides 23 l/min and 45 l/min at 176 bar through a 15.2m twin hose reel with quick disconnect fittings to operate open center tools.
- Free Fall Hoists: Winches are available in controlled free fall configurations.
- Cold Weather Packages: Cold weather options are available for operation to -40°C (Consult factory for application support)
- Radio control package.
- Rotation resistant wire rope.
- 3-Color Light bar for external load indication
- Travel Lever
- 100t hook block - Five 508mm steel sheaves, mounted on heavy-duty roller bearings with swivel hook & safety latch

MAIN WINCH

Planetary geared two-speed winch includes a bent axis, variable displacement hydraulic motor and a multi-disc internal brake.
Wire Rope: 260 m, 22 mm 35 x 7, Rotation Resistant. Line pulls are not based on wire rope strength.

Rope Layer	Maximum Line Pull (kN)	No Load Line Speed (m/min)	Full Load Line Speed (m/min)	Pitch Diameter (mm)	Layer (m)	Total (m)
1	106.8	72.5	38.1	477.5	40.5	40.5
2	97.6	79.2	41.8	524.0	44.2	84.7
3	90.0	86.0	45.1	568.5	47.9	132.6
4	83.5	92.7	48.8	612.9	51.5	184.1
5	77.8	99.4	52.4	657.4	55.5	239.6
6	72.9	106.1	55.8	701.8	59.1	298.7
7	68.6	131.1	59.4	686.4	57.5	342.8
8	64.7	119.5	62.8	790	66.4	428.2

AUXILIARY HOIST

Planetary geared two-speed winch includes a bent axis, variable displacement hydraulic motor and a multi-disc internal brake.
Wire Rope: 152 m 22 mm, 35 x 7, Rotation Resistant. Line pulls are not based on wire rope strength.

Rope Layer	Maximum Line Pull (kN)	No Load Line Speed (m/min)	Full Load Line Speed (m/min)	Pitch Diameter (mm)	Layer (m)	Total (m)
1	83.2	105.8	49.4	426.7	35.7	35.7
2	76.2	113.4	53	447	37.5	73.2
3	70.2	118.6	55.2	464.8	38.9	112.1
4	65.2	123.4	57.6	485.1	40.6	152.8
5	60.8	131.1	61	505.5	42.3	195.1
6	56.9	133.5	62.2	525.8	44	239.2

MACHINE WEIGHTS

KG

STANDARD CRANE WITH 4 SECTION 39.01 m BOOM, 2 PIECE COUNTERWEIGHT & 900 mm TRACK SHOES	87,537
POWER UNIT: Crane Less Counterweight and Track Frames	45,699
Counterweight, 2 pieces [1 piece @ 8,200 kg and 1 piece @ 7,900 kg]	16,100
Track Frames, 2 pieces [each 12,927 kg]	25,854
Auxiliary Winch with Standard Rope	1,180
Auxiliary Nose Sheave	113
11t Headache Ball	270
90t Hook Block	1,134
OPTIONAL EQUIPMENT	KG
10.7 m Lattice Extension	1,154
7.62 m Jib (connects to head of Lattice Extension ONLY)	379
Auger Ready Package	200
Complete Auger Package	690
1.52m Kelly Bar	50

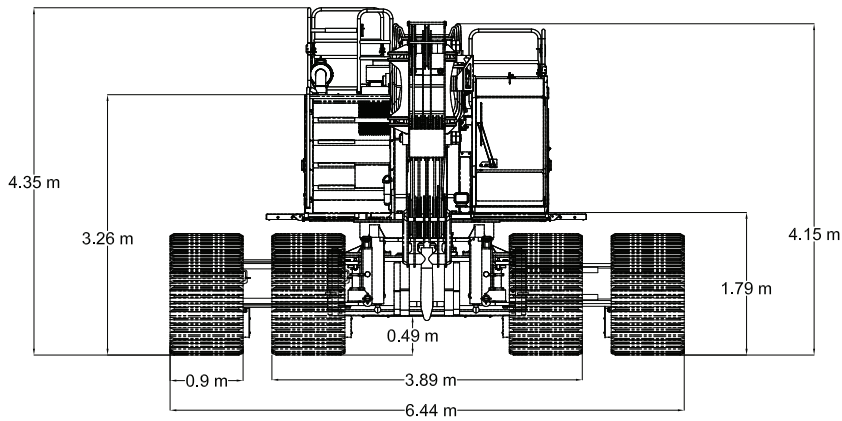
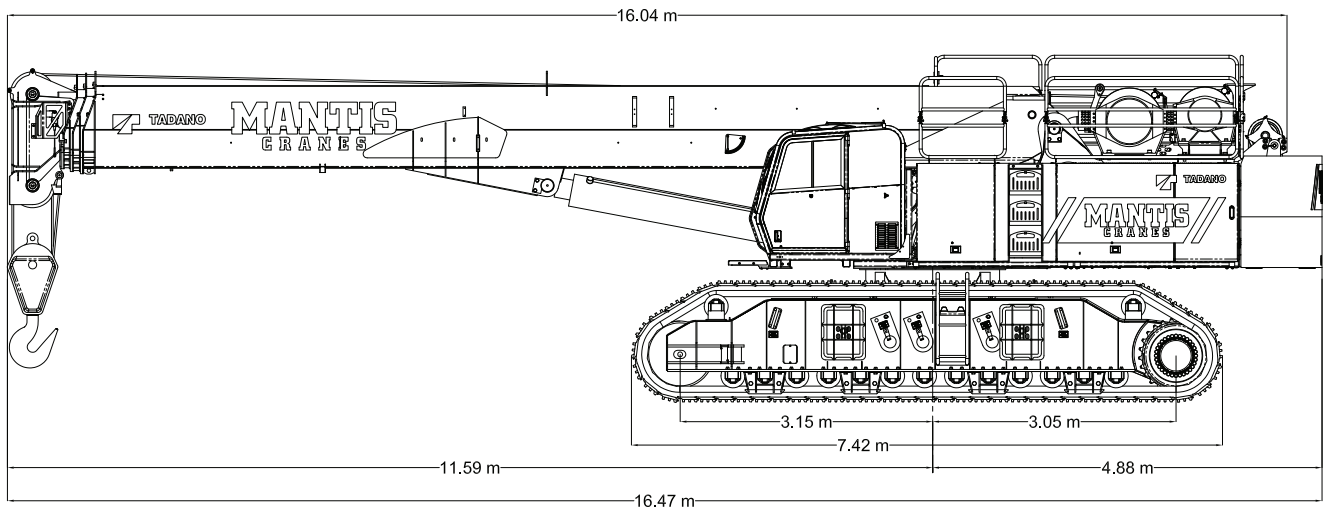
* Deduction from Standard Crane Weight

GTC-1000EX

100t Telescopic Boom Crawler Crane

SPECIFICATION SHEET NO. 543-10/11 ISO

DIMENSIONS

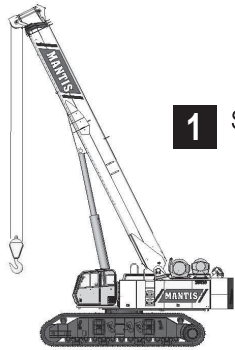


WIDTHS, WEIGHTS, AND GROUND PRESSURES*

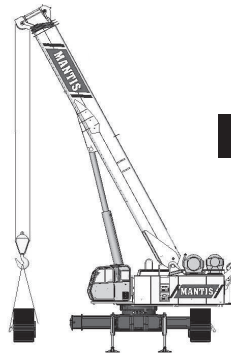
Shoe Width	Overall Width		Area	Ground Pressure	Working Weight
	Retracted	Extended			
900 mm	3.94 m	6.44 m	11.38 m ²	0.80 kg/cm ²	91,762 kg

* Crane equipped with: 39.0m boom, extension, jib, 90t hook block, and 11t headache ball

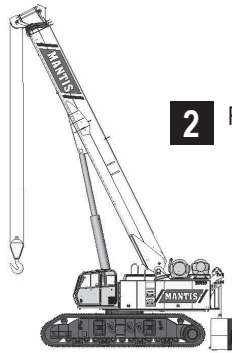
TRANSPORT PLAN



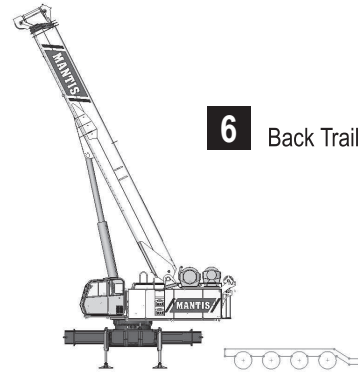
1 Select firm and level site



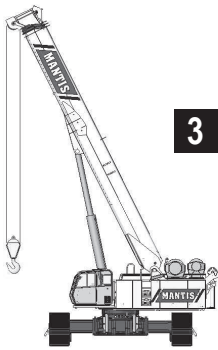
5 Remove track Frames



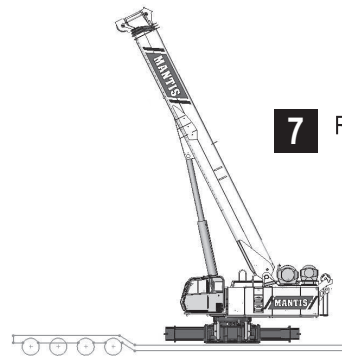
2 Remove counterweight



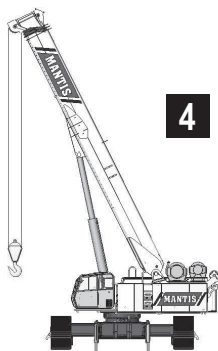
6 Back Trailer Under Crane



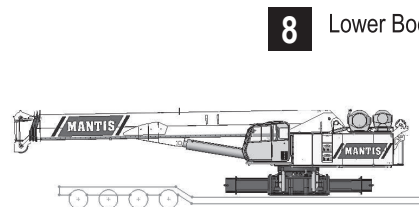
3 Rotate Upper over side



7 Retract Carbody Jacks



4 Extend Carbody Jacks



8 Lower Boom

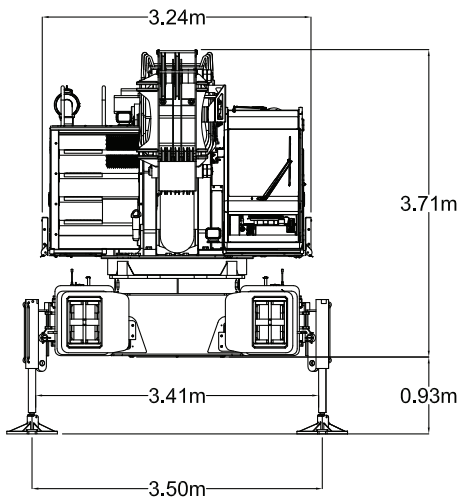
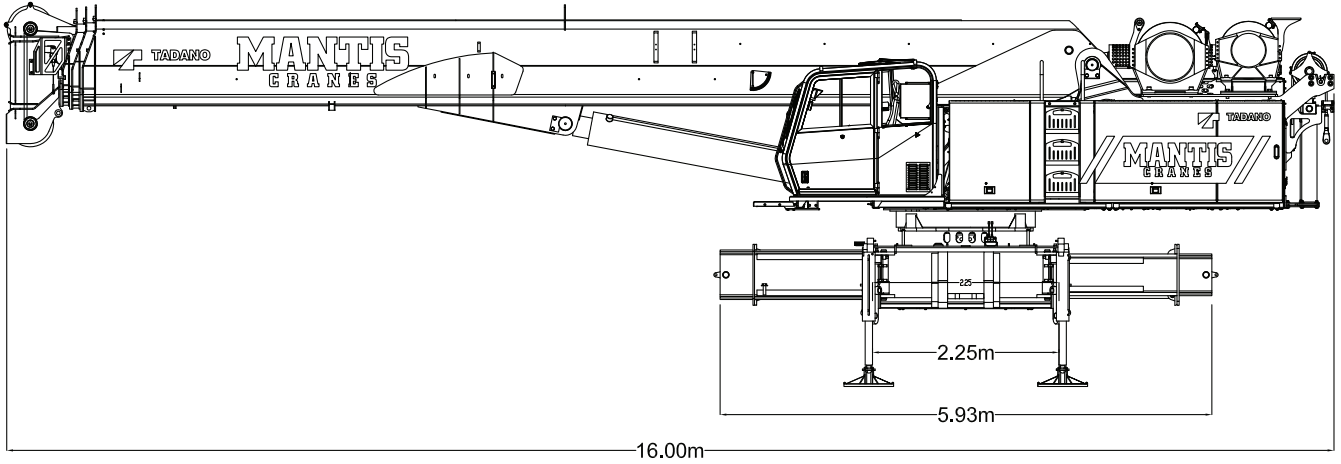
MAJOR COMPONENT SHIPPING WEIGHTS SHOWN ON PAGE 3.

GTC-1000EX

100t Telescopic Boom Crawler Crane

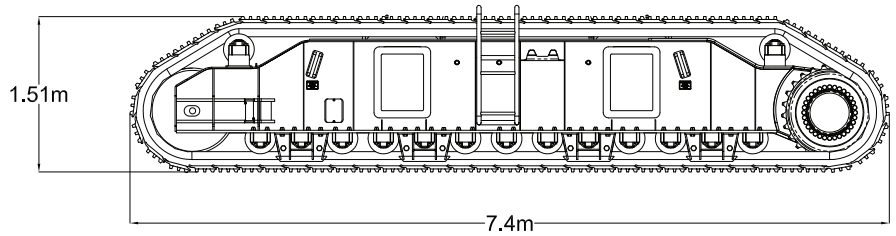
SPECIFICATION SHEET NO. 543-10/11 ISO

TRANSPORT DIMENSIONS (TRACKS REMOVED)

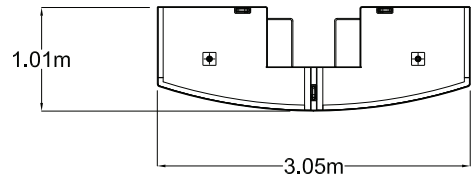
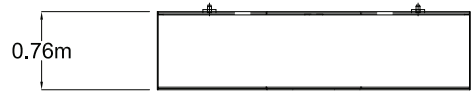


TRANSPORT DIMENSIONS

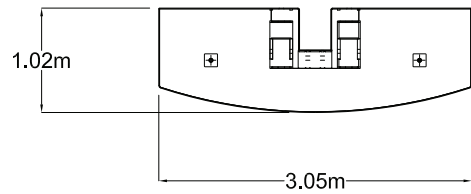
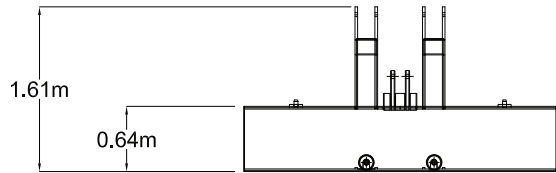
Track Frames:
2 Pieces
12,927 kg each



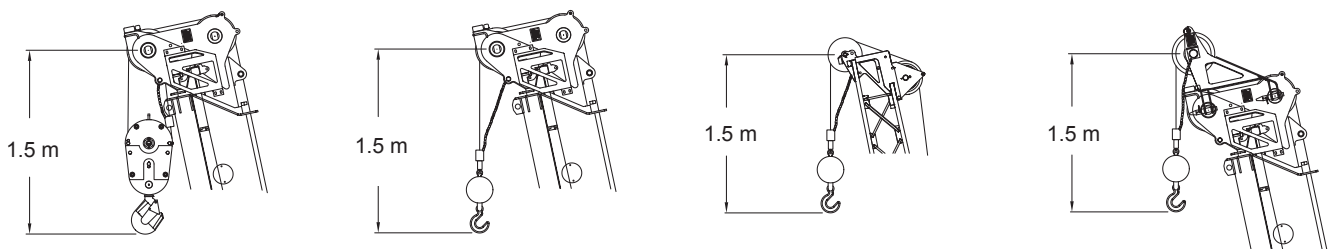
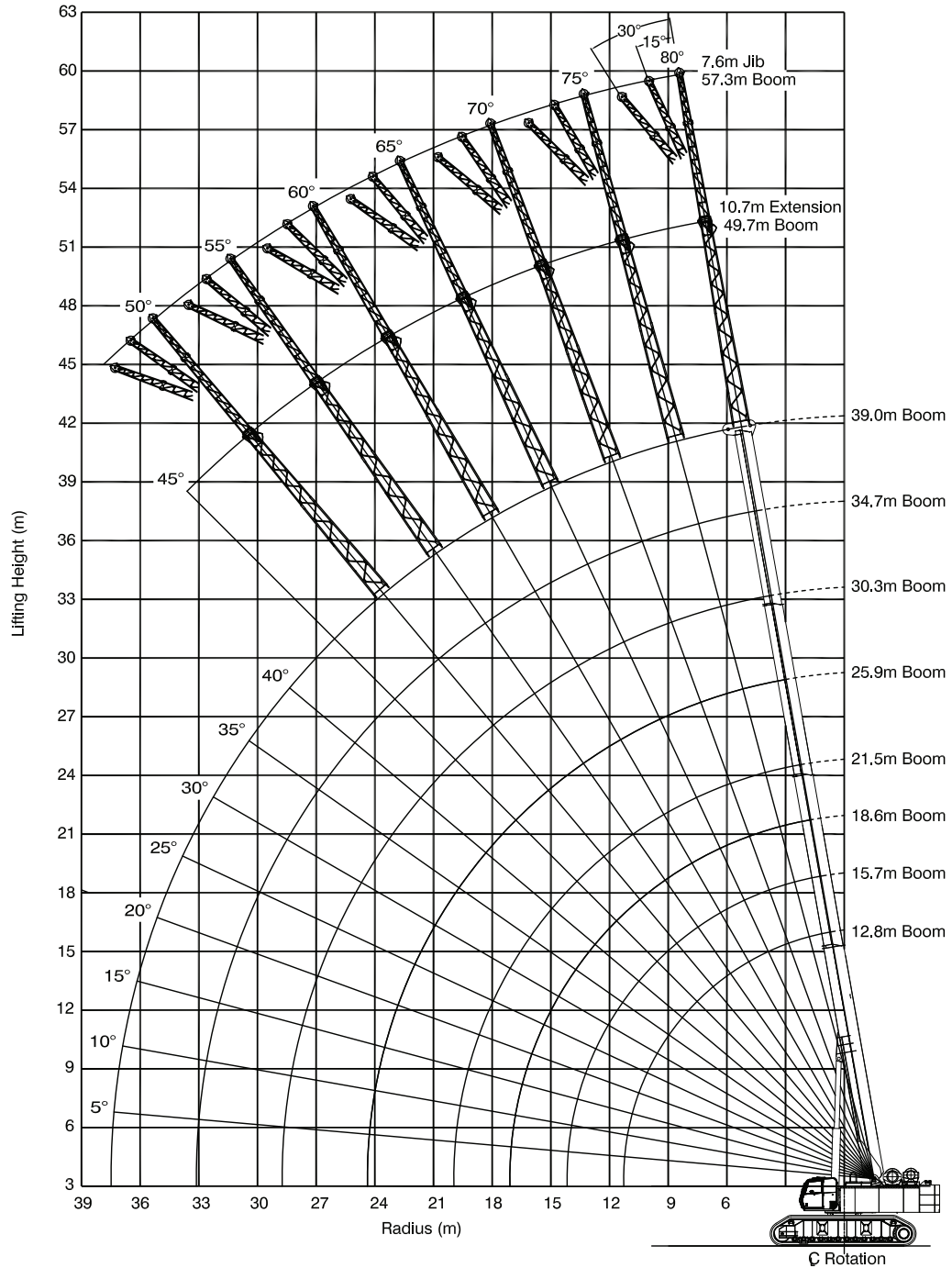
Upper Counterweight
1 Piece
7,900 kg



Lower Counterweight
1 Piece
8,200 kg



39M MAIN BOOM, 10.7M EXTENSION & 7.6M JIB



LOAD CHARTS

360 DEGREE RATING - LOADS IN kg x 1000

NO TRAVEL – LEVEL 0° TO 1°

MAIN BOOM with TRACKS FULLY EXTENDED									
16.1t COUNTERWEIGHT									
RADIUS (m)	MAIN BOOM LENGTH (m)								RADIUS (m)
	12.8	15.7	18.6	21.5	25.9	30.3	34.7	39.0	
2.5	100.0	68.0							2.5
3.0	91.5	66.8	56.7						3.0
3.5	82.3	64.7	53.3	44.3					3.5
4.0	76.7	62.1	50.1	41.1	30.7				4.0
4.5	72.7	59.4	47.1	38.1	29.2				4.5
5.0	68.3	57.1	44.8	36.2	27.6	22.3			5.0
6.0	59.4	52.6	40.3	33.0	24.4	21.4	20.4		6.0
7.0	53.4	46.6	36.6	29.4	22.2	20.5	19.6	17.5	7.0
8.0	47.1	41.5	32.8	26.3	20.5	19.7	18.6	16.7	8.0
9.0	38.5	37.7	29.1	23.7	19.6	18.9	17.4	16.0	9.0
10.0	31.9	31.4	26.3	21.4	18.1	17.3	16.1	15.2	10.0
11.0	27.0	26.6	24.3	19.4	16.8	16.0	14.8	14.4	11.0
12.0		22.8	22.5	17.6	16.0	15.6	13.8	13.4	12.0
13.0		19.8	19.5	16.5	15.4	14.6	13.0	12.6	13.0
14.0		17.3	17.1	15.7	14.8	13.6	12.3	12.0	14.0
15.0			15.0	14.8	14.2	12.5	11.5	11.1	15.0
16.0			13.3	13.1	12.9	11.7	10.9	10.4	16.0
17.0			11.8	11.6	11.5	11.1	10.3	9.7	17.0
18.0				10.4	10.5	10.5	9.7	9.0	18.0
19.0				9.2	9.9	9.9	9.1	8.5	19.0
20.0				8.2	8.9	9.3	8.5	8.0	20.0
21.0					8.0	8.4	8.0	7.4	21.0
22.0					7.3	7.7	7.6	7.0	22.0
23.0					6.5	6.9	7.1	6.7	23.0
24.0					5.9	6.3	6.5	6.4	24.0
25.0						5.7	5.9	6.0	25.0
26.0						5.2	5.4	5.5	26.0
27.0						4.7	4.9	5.0	27.0
28.0						4.3	4.5	4.6	28.0
29.0							4.0	4.2	29.0
30.0							3.7	3.8	30.0
31.0							3.3	3.4	31.0
32.0							3.0	3.1	32.0
33.0							2.7	2.8	33.0
34.0								2.5	34.0
35.0								2.2	35.0
36.0								2.0	36.0
37.0								1.7	37.0

LOAD CHARTS

360 DEGREE RATING - LOADS IN kg x 1000

NO TRAVEL – LEVEL 1°TO 2°

MAIN BOOM with TRACKS FULLY EXTENDED									
16.1t COUNTERWEIGHT									
RADIUS (m)	MAIN BOOM LENGTH (m)								RADIUS (m)
	12.8	15.7	18.6	21.5	25.9	30.3	34.7	39.0	
2.5	100.0	68.0							2.5
3.0	91.5	66.8	56.7						3.0
3.5	82.3	64.7	53.3	44.3					3.5
4.0	76.7	62.1	50.1	41.1	30.7				4.0
4.5	72.7	59.4	47.1	38.1	29.2				4.5
5.0	68.3	57.1	44.8	36.2	27.6	22.3			5.0
6.0	59.4	52.6	40.3	33.0	24.4	21.4	19.4		6.0
7.0	53.4	46.6	36.6	29.4	22.2	20.5	18.6	15.7	7.0
8.0	45.8	41.5	32.8	26.3	20.5	19.7	17.7	15.1	8.0
9.0	37.5	36.0	29.1	23.7	19.6	18.9	16.5	14.4	9.0
10.0	31.1	30.6	26.3	21.4	18.1	17.3	15.3	13.7	10.0
11.0	26.3	25.9	24.3	19.4	16.8	16.0	14.1	13.0	11.0
12.0		22.2	21.9	17.6	16.0	15.6	13.1	12.0	12.0
13.0		19.2	18.9	16.5	15.4	14.6	12.4	11.4	13.0
14.0		16.8	16.6	15.7	14.8	13.6	11.6	10.8	14.0
15.0			14.6	14.3	14.2	12.5	10.9	10.0	15.0
16.0			12.9	12.7	12.9	11.7	10.3	9.3	16.0
17.0			11.4	11.2	11.5	11.1	9.8	8.8	17.0
18.0				10.0	10.5	10.5	9.2	8.1	18.0
19.0				8.9	9.5	9.9	8.6	7.6	19.0
20.0				7.9	8.6	9.0	8.1	7.2	20.0
21.0					7.7	8.1	7.6	6.7	21.0
22.0					7.0	7.4	7.2	6.3	22.0
23.0					6.3	6.7	6.9	6.0	23.0
24.0					5.6	6.0	6.2	5.7	24.0
25.0						5.5	5.7	5.4	25.0
26.0						4.9	5.1	5.1	26.0
27.0						4.5	4.7	4.8	27.0
28.0						4.0	4.2	4.3	28.0
29.0							3.8	3.9	29.0
30.0							3.5	3.6	30.0
31.0							3.1	3.2	31.0
32.0							2.8	2.9	32.0
33.0							2.5	2.6	33.0
34.0								2.3	34.0
35.0								2.0	35.0
36.0								1.8	36.0
37.0								1.6	37.0

LOAD CHARTS

360 DEGREE RATING - LOADS IN kg x 1000

NO TRAVEL – LEVEL 3° TO 4°

MAIN BOOM with TRACKS FULLY EXTENDED									
16.1t COUNTERWEIGHT									
RADIUS (m)	MAIN BOOM LENGTH (m)								RADIUS (m)
	12.8	15.7	18.6	21.5	25.9	30.3	34.7	39.0	
2.5	75.0	51.0							2.5
3.0	68.6	50.1	42.0						3.0
3.5	61.7	48.5	39.5	32.3					3.5
4.0	57.5	46.6	37.1	30.0	22.1				4.0
4.5	54.5	44.5	34.9	27.8	21.1				4.5
5.0	51.2	42.8	33.2	26.5	19.9	15.8			5.0
6.0	44.5	39.4	29.9	24.1	17.5	15.2	14.3		6.0
7.0	40.1	35.0	27.0	21.5	16.0	14.6	13.7	12.2	7.0
8.0	35.3	31.1	24.3	19.2	14.8	14.0	13.0	11.7	8.0
9.0	29.7	28.3	21.5	17.3	14.1	13.4	12.2	11.2	9.0
10.0	27.0	26.0	19.4	15.7	13.0	12.3	11.3	10.7	10.0
11.0	24.5	23.2	18.0	14.1	12.1	11.3	10.4	10.1	11.0
12.0		19.4	17.5	12.8	11.5	11.1	9.7	9.3	12.0
13.0		16.9	15.5	12.1	11.1	10.4	9.1	8.9	13.0
14.0		14.6	13.4	11.5	10.7	9.6	8.6	8.4	14.0
15.0			12.1	11.0	10.2	8.9	8.1	7.8	15.0
16.0			10.7	9.9	9.3	8.3	7.6	7.3	16.0
17.0			8.9	8.7	8.3	7.9	7.2	6.8	17.0
18.0				7.9	7.6	7.5	6.8	6.3	18.0
19.0				7.4	7.2	7.0	6.4	5.9	19.0
20.0				7.0	7.0	6.6	6.0	5.6	20.0
21.0					6.9	6.2	5.6	5.2	21.0
22.0					6.4	5.9	5.3	4.9	22.0
23.0					5.8	5.6	5.1	4.7	23.0
24.0					5.1	5.3	4.9	4.5	24.0
25.0						5.0	4.6	4.2	25.0
26.0						4.6	4.4	4.0	26.0
27.0						4.1	4.1	3.8	27.0
28.0						3.7	3.9	3.6	28.0
29.0							3.6	3.4	29.0
30.0							3.3	3.2	30.0
31.0							2.9	3.0	31.0
32.0							2.6	2.7	32.0
33.0							2.3	2.4	33.0
34.0								2.1	34.0
35.0								1.9	35.0
36.0								1.6	36.0
37.0								1.4	37.0

LOAD CHARTS

360 DEGREE RATING - LOADS IN kg x 1000

TRAVEL SPEEDS UP TO 1.0 km/h – LEVEL 0° TO 2°

MAIN BOOM with TRACKS FULLY EXTENDED									
16.1t COUNTERWEIGHT									
RADIUS (m)	MAIN BOOM LENGTH (m)								RADIUS (m)
	12.8	15.7	18.6	21.5	25.9	30.3	34.7	39.0	
2.5	100.0	68.0							2.5
3.0	91.5	66.8	56.7						3.0
3.5	82.3	64.7	53.3	44.3					3.5
4.0	76.7	62.1	50.1	41.1	30.7				4.0
4.5	72.7	59.4	47.1	38.1	29.2				4.5
5.0	68.3	57.1	44.8	36.2	27.6	22.3			5.0
6.0	59.4	52.6	40.3	33.0	24.4	21.4	19.4		6.0
7.0	53.4	46.6	36.6	29.4	22.2	20.5	18.6	15.7	7.0
8.0	43.7	41.5	32.8	26.3	20.5	19.7	17.7	15.1	8.0
9.0	35.2	34.7	29.1	23.7	19.6	18.9	16.5	14.4	9.0
10.0	29.2	28.8	26.3	21.4	18.1	17.3	15.3	13.7	10.0
11.0	24.7	24.3	24.0	19.4	16.8	16.0	14.1	13.0	11.0
12.0		20.8	20.5	17.6	16.0	15.6	13.1	12.0	12.0
13.0		18.1	17.8	16.5	15.4	14.6	12.4	11.4	13.0
14.0		15.8	15.6	15.3	14.8	13.6	11.6	10.8	14.0
15.0			13.7	13.5	14.1	12.5	10.9	10.0	15.0
16.0			12.1	11.9	12.5	11.7	10.3	9.3	16.0
17.0			10.7	10.6	11.2	11.1	9.8	8.8	17.0
18.0				9.4	10.0	10.4	9.2	8.1	18.0
19.0				8.4	9.0	9.4	8.6	7.6	19.0
20.0				7.4	8.1	8.4	8.1	7.2	20.0
21.0					7.3	7.6	7.6	6.7	21.0
22.0					6.5	6.9	7.1	6.3	22.0
23.0					5.9	6.3	6.5	6.0	23.0
24.0					5.3	5.7	5.9	5.7	24.0
25.0						5.1	5.3	5.4	25.0
26.0						4.6	4.8	4.9	26.0
27.0						4.2	4.4	4.5	27.0
28.0						3.8	4.0	4.1	28.0
29.0							3.6	3.7	29.0
30.0							3.2	3.4	30.0
31.0							2.9	3.0	31.0
32.0							2.6	2.7	32.0
33.0							2.3	2.4	33.0
34.0								2.2	34.0
35.0								1.9	35.0
36.0								1.7	36.0
37.0								1.5	37.0

LOAD CHARTS

360 DEGREE RATING - LOADS IN kg x 1000

TRAVEL SPEEDS UP TO 1.0 km/h – LEVEL 2° TO 4°

MAIN BOOM with TRACKS FULLY EXTENDED									
16.1t COUNTERWEIGHT									
RADIUS (m)	MAIN BOOM LENGTH (m)								RADIUS (m)
	12.8	15.7	18.6	21.5	25.9	30.3	34.7	39.0	
2.5	75.0	51.0							2.5
3.0	68.6	50.1	42.0						3.0
3.5	61.7	48.5	39.5	32.3					3.5
4.0	57.5	46.6	37.1	30.0	22.1				4.0
4.5	54.5	44.5	34.9	27.8	21.1				4.5
5.0	51.2	42.8	33.2	26.5	19.9	15.8			5.0
6.0	44.5	39.4	29.9	24.1	17.5	15.2	14.3		6.0
7.0	40.1	35.0	27.0	21.5	16.0	14.6	13.7	12.2	7.0
8.0	35.3	31.1	24.3	19.2	14.8	14.0	13.0	11.7	8.0
9.0	29.7	28.3	21.5	17.3	14.1	13.4	12.2	11.2	9.0
10.0	27.0	26.0	19.4	15.7	13.0	12.3	11.3	10.7	10.0
11.0	24.3	23.2	18.0	14.1	12.1	11.3	10.4	10.1	11.0
12.0		19.4	17.5	12.8	11.5	11.1	9.7	9.3	12.0
13.0		16.9	15.5	12.1	11.1	10.4	9.1	8.9	13.0
14.0		14.6	13.4	11.5	10.7	9.6	8.6	8.4	14.0
15.0			12.1	11.0	10.2	8.9	8.1	7.8	15.0
16.0			10.7	9.9	9.3	8.3	7.6	7.3	16.0
17.0			8.9	8.7	8.3	7.9	7.2	6.8	17.0
18.0				7.9	7.6	7.5	6.8	6.3	18.0
19.0				7.4	7.2	7.0	6.4	5.9	19.0
20.0				7.0	7.0	6.6	6.0	5.6	20.0
21.0					6.8	6.2	5.6	5.2	21.0
22.0					6.1	5.9	5.3	4.9	22.0
23.0					5.4	5.6	5.1	4.7	23.0
24.0					4.8	5.3	4.9	4.5	24.0
25.0						4.8	4.6	4.2	25.0
26.0						4.3	4.4	4.0	26.0
27.0						3.9	4.1	3.8	27.0
28.0						3.5	3.8	3.6	28.0
29.0							3.4	3.4	29.0
30.0							3.1	3.2	30.0
31.0							2.7	2.9	31.0
32.0							2.4	2.6	32.0
33.0							2.2	2.3	33.0
34.0								2.0	34.0
35.0								1.8	35.0
36.0								1.5	36.0
37.0								1.3	37.0

LOAD CHARTS

360 DEGREE RATING - LOADS IN kg x 1000

NO TRAVEL – LEVEL 0° TO 1°

MAIN BOOM with TRACKS FULLY EXTENDED									
8.2t COUNTERWEIGHT									
RADIUS (m)	MAIN BOOM LENGTH (m)								RADIUS (m)
	12.8	15.7	18.6	21.5	25.9	30.3	34.7	39.0	
2.5	100.0	68.0							2.5
3.0	91.5	66.8	56.7						3.0
3.5	82.3	64.7	53.3	44.3					3.5
4.0	76.7	62.1	50.1	41.1	30.7				4.0
4.5	72.7	59.4	47.1	38.1	29.2				4.5
5.0	68.3	57.1	44.8	36.2	27.6	22.3			5.0
6.0	59.4	52.6	40.3	33.0	24.4	21.4	20.4		6.0
7.0	48.1	45.1	36.6	29.4	22.2	20.5	19.6	17.5	7.0
8.0	37.8	36.5	32.8	26.3	20.5	19.7	18.6	16.7	8.0
9.0	30.1	29.9	29.0	23.7	19.6	18.9	17.4	16.0	9.0
10.0	24.7	24.4	24.4	21.4	18.1	17.3	16.1	15.2	10.0
11.0	20.6	20.4	20.4	19.4	16.8	16.0	14.8	14.4	11.0
12.0		17.3	17.3	17.4	16.0	15.6	13.8	13.4	12.0
13.0		14.7	14.8	14.9	15.4	14.6	13.0	12.6	13.0
14.0		12.7	12.7	12.9	13.8	13.6	12.3	12.0	14.0
15.0			11.0	11.2	12.1	12.5	11.5	11.1	15.0
16.0			9.6	9.8	10.6	11.0	10.9	10.4	16.0
17.0			8.4	8.5	9.4	9.8	10.2	9.7	17.0
18.0				7.5	8.3	8.7	9.1	9.0	18.0
19.0				6.5	7.4	7.8	8.1	8.4	19.0
20.0				5.7	6.6	6.9	7.3	7.5	20.0
21.0					5.8	6.2	6.6	6.8	21.0
22.0					5.2	5.5	5.9	6.1	22.0
23.0					4.6	5.0	5.3	5.5	23.0
24.0					4.0	4.4	4.8	5.0	24.0
25.0						3.9	4.3	4.5	25.0
26.0						3.5	3.8	4.1	26.0
27.0						3.1	3.4	3.6	27.0
28.0						2.7	3.1	3.3	28.0
29.0							2.7	2.9	29.0
30.0							2.4	2.6	30.0
31.0							2.1	2.3	31.0
32.0							1.8	2.0	32.0
33.0							1.6	1.8	33.0
34.0								1.5	34.0
35.0								1.3	35.0
36.0								1.1	36.0
37.0								0.9	37.0

LOAD CHARTS

360 DEGREE RATING - LOADS IN kg x 1000

NO TRAVEL – LEVEL 3° TO 4°

MAIN BOOM with TRACKS FULLY EXTENDED									
8.2t COUNTERWEIGHT									
RADIUS (m)	MAIN BOOM LENGTH (m)								RADIUS (m)
	12.8	15.7	18.6	21.5	25.9	30.3	34.7	39.0	
2.5	75.0	51.0							2.5
3.0	68.6	50.1	42.0						3.0
3.5	61.7	48.5	39.5	32.3					3.5
4.0	57.5	46.6	37.1	30.0	22.1				4.0
4.5	54.5	44.5	34.9	27.8	21.1				4.5
5.0	51.2	42.8	33.2	26.5	19.9	15.8			5.0
6.0	44.5	39.4	29.9	24.1	17.5	15.2	14.3		6.0
7.0	39.6	35.0	27.0	21.5	16.0	14.6	13.7	12.2	7.0
8.0	32.6	29.8	24.3	19.2	14.8	14.0	13.0	11.7	8.0
9.0	27.5	25.2	21.5	17.3	14.1	13.4	12.2	11.2	9.0
10.0	23.7	21.5	19.4	15.7	13.0	12.3	11.3	10.7	10.0
11.0	19.6	18.6	17.6	14.1	12.1	11.3	10.4	10.1	11.0
12.0		16.3	15.4	12.8	11.5	11.1	9.7	9.3	12.0
13.0		13.9	13.6	12.1	11.1	10.4	9.1	8.9	13.0
14.0		11.8	12.0	11.1	10.7	9.6	8.6	8.4	14.0
15.0			10.5	9.8	10.0	8.9	8.1	7.8	15.0
16.0			9.1	8.7	9.0	8.3	7.6	7.3	16.0
17.0			7.9	7.8	8.0	7.9	7.2	6.8	17.0
18.0				6.7	7.2	7.3	6.8	6.3	18.0
19.0				5.8	6.4	6.6	6.4	5.9	19.0
20.0				4.9	5.8	6.0	6.0	5.6	20.0
21.0					5.2	5.4	5.5	5.2	21.0
22.0					4.5	4.8	5.0	4.9	22.0
23.0					3.9	4.4	4.5	4.6	23.0
24.0					3.4	3.9	4.1	4.1	24.0
25.0						3.5	3.7	3.8	25.0
26.0						3.1	3.3	3.4	26.0
27.0						2.7	3.0	3.1	27.0
28.0						2.3	2.6	2.8	28.0
29.0							2.4	2.5	29.0
30.0							2.1	2.2	30.0
31.0							1.8	1.9	31.0
32.0							1.5	1.7	32.0
33.0							1.2	1.5	33.0
34.0								1.3	34.0
35.0								1.1	35.0
36.0								0.9	36.0
37.0								0.7	37.0

LOAD CHARTS

360 DEGREE RATING - LOADS IN kg x 1000

TRAVEL SPEEDS UP TO 1.0 km/h – LEVEL 0° TO 2°

MAIN BOOM with TRACKS FULLY EXTENDED									
8.2t COUNTERWEIGHT									
RADIUS (m)	MAIN BOOM LENGTH (m)								RADIUS (m)
	12.8	15.7	18.6	21.5	25.9	30.3	34.7	39.0	
2.5	100.0	68.0							2.5
3.0	91.5	66.8	56.7						3.0
3.5	82.3	64.7	53.3	44.3					3.5
4.0	76.7	62.1	50.1	41.1	30.7				4.0
4.5	72.7	59.4	47.1	38.1	29.2				4.5
5.0	68.3	57.1	44.8	36.2	27.6	22.3			5.0
6.0	55.2	50.5	40.3	33.0	24.4	21.4	19.4		6.0
7.0	43.4	40.1	36.6	29.4	22.2	20.5	18.6	15.7	7.0
8.0	35.2	32.8	31.0	26.3	20.5	19.7	17.7	15.1	8.0
9.0	28.0	27.5	26.1	23.7	19.6	18.9	16.5	14.4	9.0
10.0	22.9	22.6	22.3	21.3	18.1	17.3	15.3	13.7	10.0
11.0	19.0	18.8	18.8	18.4	16.8	16.0	14.1	13.0	11.0
12.0		15.9	15.9	16.0	16.0	15.6	13.1	12.0	12.0
13.0		13.5	13.5	13.7	14.2	14.1	12.4	11.4	13.0
14.0		11.6	11.6	11.8	12.6	12.6	11.6	10.8	14.0
15.0			10.0	10.2	11.0	11.3	10.9	10.0	15.0
16.0			8.7	8.8	9.7	10.1	10.2	9.3	16.0
17.0			7.5	7.7	8.5	9.0	9.2	8.8	17.0
18.0				6.7	7.5	8.0	8.3	8.1	18.0
19.0				5.8	6.6	7.1	7.5	7.6	19.0
20.0				5.0	5.9	6.4	6.8	6.9	20.0
21.0					5.2	5.7	6.1	6.3	21.0
22.0					4.5	5.0	5.5	5.7	22.0
23.0					4.0	4.5	4.9	5.1	23.0
24.0					3.5	4.0	4.4	4.6	24.0
25.0						3.5	3.9	4.2	25.0
26.0						3.1	3.5	3.8	26.0
27.0						2.7	3.1	3.4	27.0
28.0						2.4	2.8	3.0	28.0
29.0							2.4	2.7	29.0
30.0							2.1	2.4	30.0
31.0							1.9	2.1	31.0
32.0							1.6	1.8	32.0
33.0							1.4	1.6	33.0
34.0								1.4	34.0
35.0								1.2	35.0
36.0								1.0	36.0
37.0								0.8	37.0

LOAD CHARTS

360 DEGREE RATING - LOADS IN kg x 1000

TRAVEL SPEEDS UP TO 1.0 km/h – LEVEL 2° TO 4°

MAIN BOOM with TRACKS FULLY EXTENDED									
8.2t COUNTERWEIGHT									
RADIUS (m)	MAIN BOOM LENGTH (m)								RADIUS (m)
	12.8	15.7	18.6	21.5	25.9	30.3	34.7	39.0	
2.5	75.0	51.0							2.5
3.0	68.6	50.1	42.0						3.0
3.5	61.7	48.5	39.5	32.3					3.5
4.0	57.5	46.6	37.1	30.0	22.1				4.0
4.5	54.5	44.5	34.9	27.8	21.1				4.5
5.0	51.2	42.8	33.2	26.5	19.9	15.8			5.0
6.0	44.5	39.4	29.9	24.1	17.5	15.2	14.3		6.0
7.0	38.5	34.9	27.0	21.5	16.0	14.6	13.7	12.2	7.0
8.0	31.9	29.0	24.3	19.2	14.8	14.0	13.0	11.7	8.0
9.0	27.0	24.5	21.5	17.3	14.1	13.4	12.2	11.2	9.0
10.0	22.3	21.0	19.4	15.7	13.0	12.3	11.3	10.7	10.0
11.0	18.4	18.2	17.2	14.1	12.1	11.3	10.4	10.1	11.0
12.0		15.4	15.1	12.8	11.5	11.1	9.7	9.3	12.0
13.0		13.1	13.3	12.1	11.1	10.4	9.1	8.9	13.0
14.0		11.1	11.5	10.8	10.7	9.6	8.6	8.4	14.0
15.0			9.9	9.6	9.7	8.9	8.1	7.8	15.0
16.0			8.5	8.5	8.7	8.3	7.6	7.3	16.0
17.0			7.4	7.3	7.8	7.9	7.2	6.8	17.0
18.0				6.3	7.0	7.1	6.8	6.3	18.0
19.0				5.4	6.3	6.4	6.4	5.9	19.0
20.0				4.6	5.5	5.8	5.9	5.6	20.0
21.0					4.9	5.2	5.3	5.2	21.0
22.0					4.2	4.7	4.8	4.9	22.0
23.0					3.7	4.2	4.3	4.4	23.0
24.0					3.2	3.8	3.9	4.0	24.0
25.0						3.3	3.5	3.6	25.0
26.0						2.9	3.2	3.3	26.0
27.0						2.5	2.9	2.9	27.0
28.0						2.1	2.6	2.6	28.0
29.0							2.2	2.4	29.0
30.0							1.9	2.1	30.0
31.0							1.7	1.9	31.0
32.0							1.4	1.6	32.0
33.0							1.1	1.4	33.0
34.0								1.2	34.0
35.0								1.0	35.0
36.0								0.8	36.0
37.0								0.6	37.0

LOAD CHARTS

360 DEGREE RATING - LOADS IN kg x 1000

NO TRAVEL – LEVEL 0° TO 1°

MAIN BOOM with TRACKS FULLY EXTENDED									
0t COUNTERWEIGHT									
RADIUS (m)	MAIN BOOM LENGTH (m)								RADIUS (m)
	12.8	15.7	18.6	21.5	25.9	30.3	34.7	39.0	
2.5	100.0	68.0							2.5
3.0	91.5	66.8	56.7						3.0
3.5	82.3	64.7	53.3	44.3					3.5
4.0	76.7	62.1	50.1	41.1	30.7				4.0
4.5	72.7	59.4	47.1	38.1	29.2				4.5
5.0	64.6	57.1	44.8	36.2	27.6	22.3			5.0
6.0	46.1	43.3	40.3	33.0	24.4	21.4	20.4		6.0
7.0	35.1	33.3	31.5	29.4	22.2	20.5	19.6	17.5	7.0
8.0	27.2	26.6	25.3	24.2	20.5	19.7	18.6	16.7	8.0
9.0	21.3	21.6	20.7	20.0	19.6	18.9	17.4	16.0	9.0
10.0	17.0	17.4	17.3	16.7	16.9	16.6	16.1	15.2	10.0
11.0	13.8	14.3	14.3	14.1	14.4	14.2	14.2	14.0	11.0
12.0		11.8	11.8	11.9	12.4	12.3	12.3	12.2	12.0
13.0		9.9	9.9	10.0	10.8	10.7	10.8	10.7	13.0
14.0		8.2	8.3	8.4	9.3	9.4	9.5	9.5	14.0
15.0			7.0	7.1	8.0	8.2	8.4	8.4	15.0
16.0			5.8	6.0	6.9	7.2	7.4	7.5	16.0
17.0			4.9	5.0	5.9	6.2	6.6	6.6	17.0
18.0				4.2	5.1	5.4	5.8	5.9	18.0
19.0				3.5	4.3	4.7	5.1	5.2	19.0
20.0				2.8	3.7	4.0	4.4	4.7	20.0
21.0					3.1	3.4	3.9	4.1	21.0
22.0					2.6	2.9	3.3	3.6	22.0
23.0					2.1	2.5	2.9	3.1	23.0
24.0					1.7	2.0	2.5	2.7	24.0
25.0						1.7	2.1	2.3	25.0
26.0						1.3	1.7	2.0	26.0
27.0						1.0	1.4	1.7	27.0
28.0						0.7	1.1	1.4	28.0
29.0							0.8	1.1	29.0
30.0							0.6	0.9	30.0
31.0							*	0.6	31.0
32.0							*	*	32.0
33.0							*	*	33.0
34.0								*	34.0
35.0								*	35.0
36.0								*	36.0
37.0								*	37.0

LOAD CHARTS

360 DEGREE RATING - LOADS IN kg x 1000

NO TRAVEL – LEVEL 2° TO 4°

MAIN BOOM with TRACKS FULLY EXTENDED									
0t COUNTERWEIGHT									
RADIUS (m)	MAIN BOOM LENGTH (m)								RADIUS (m)
	12.8	15.7	18.6	21.5	25.9	30.3	34.7	39.0	
2.5	75.0	51.0							2.5
3.0	68.6	50.1	42.0						3.0
3.5	61.7	48.5	39.5	32.3					3.5
4.0	57.5	46.6	37.1	30.0	22.1				4.0
4.5	54.5	44.5	34.9	27.8	21.1				4.5
5.0	48.5	42.8	33.2	26.5	19.9	15.8			5.0
6.0	36.5	32.9	29.9	24.1	17.5	15.2	14.3		6.0
7.0	28.6	26.1	24.3	21.5	16.0	14.6	13.7	12.2	7.0
8.0	23.1	21.2	20.0	18.5	14.8	14.0	13.0	11.7	8.0
9.0	19.1	17.6	16.6	15.4	14.1	13.4	12.2	11.2	9.0
10.0	16.0	14.7	14.0	13.0	12.8	12.3	11.3	10.7	10.0
11.0	13.1	12.4	11.9	11.0	11.0	10.8	10.4	10.1	11.0
12.0		10.6	10.2	9.4	9.5	9.4	9.2	9.0	12.0
13.0		9.0	8.7	8.0	8.2	8.2	8.1	7.9	13.0
14.0		7.4	7.5	6.9	7.1	7.1	7.1	7.0	14.0
15.0			6.5	5.9	6.1	6.2	6.2	6.2	15.0
16.0			5.5	5.0	5.3	5.4	5.5	5.4	16.0
17.0			4.5	4.2	4.6	4.7	4.8	4.8	17.0
18.0				3.6	3.9	4.1	4.2	4.2	18.0
19.0				3.0	3.3	3.5	3.6	3.7	19.0
20.0				2.3	2.8	3.0	3.1	3.2	20.0
21.0					2.3	2.5	2.7	2.8	21.0
22.0					1.9	2.1	2.3	2.4	22.0
23.0					1.6	1.7	1.9	2.0	23.0
24.0					1.2	1.4	1.6	1.7	24.0
25.0						1.1	1.3	1.4	25.0
26.0						0.8	1.0	1.1	26.0
27.0						0.5	0.7	0.8	27.0
28.0						*	0.5	0.6	28.0
29.0							*	*	29.0
30.0							*	*	30.0
31.0							*	*	31.0
32.0							*	*	32.0
33.0							*	*	33.0
34.0								*	34.0
35.0								*	35.0
36.0								*	36.0
37.0								*	37.0

LOAD CHARTS

360 DEGREE RATING - LOADS IN kg x 1000

TRAVEL SPEEDS UP TO 1.0 km/h – LEVEL 0° TO 2°

MAIN BOOM with TRACKS FULLY EXTENDED									
0t COUNTERWEIGHT									
RADIUS (m)	MAIN BOOM LENGTH (m)								RADIUS (m)
	12.8	15.7	18.6	21.5	25.9	30.3	34.7	39.0	
2.5	100.0	68.0							2.5
3.0	91.5	66.8	56.7						3.0
3.5	82.3	64.7	53.3	44.3					3.5
4.0	76.7	62.1	50.1	41.1	30.7				4.0
4.5	66.8	59.4	47.1	38.1	29.2				4.5
5.0	55.6	50.0	44.8	36.2	27.6	22.3			5.0
6.0	40.9	37.4	34.8	32.5	24.4	21.4	19.4		6.0
7.0	31.7	29.2	27.5	25.9	22.2	20.5	18.6	15.7	7.0
8.0	25.3	23.5	22.3	21.2	20.5	19.7	17.7	15.1	8.0
9.0	19.7	19.3	18.4	17.6	17.3	16.8	16.3	14.4	9.0
10.0	15.7	16.0	15.4	14.8	14.7	14.4	14.1	13.7	10.0
11.0	12.6	13.1	13.0	12.5	12.6	12.4	12.2	12.0	11.0
12.0		10.8	11.0	10.7	10.8	10.8	10.7	10.5	12.0
13.0		8.9	9.2	9.2	9.4	9.4	9.4	9.3	13.0
14.0		7.4	7.7	7.7	8.1	8.2	8.3	8.2	14.0
15.0			6.4	6.5	7.1	7.2	7.3	7.2	15.0
16.0			5.4	5.4	6.1	6.3	6.4	6.4	16.0
17.0			4.5	4.5	5.2	5.5	5.7	5.7	17.0
18.0				3.8	4.4	4.8	5.0	5.0	18.0
19.0				3.1	3.8	4.2	4.4	4.5	19.0
20.0				2.4	3.2	3.6	3.8	3.9	20.0
21.0					2.6	3.1	3.3	3.4	21.0
22.0					2.1	2.6	2.9	3.0	22.0
23.0					1.7	2.1	2.5	2.6	23.0
24.0					1.3	1.7	2.1	2.2	24.0
25.0						1.4	1.8	1.9	25.0
26.0						1.1	1.5	1.6	26.0
27.0						0.8	1.2	1.3	27.0
28.0						0.5	0.9	1.1	28.0
29.0							0.6	0.8	29.0
30.0							*	0.6	30.0
31.0							*	*	31.0
32.0							*	*	32.0
33.0							*	*	33.0
34.0								*	34.0
35.0								*	35.0
36.0								*	36.0
37.0								*	37.0

LOAD CHARTS

360 DEGREE RATING - LOADS IN kg x 1000

TRAVEL SPEEDS UP TO 1.0 km/h – LEVEL 2° TO 4°

MAIN BOOM with TRACKS FULLY EXTENDED									
0t COUNTERWEIGHT									
RADIUS (m)	MAIN BOOM LENGTH (m)								RADIUS (m)
	12.8	15.7	18.6	21.5	25.9	30.3	34.7	39.0	
2.5	75.0	51.0							2.5
3.0	68.6	50.1	42.0						3.0
3.5	61.7	48.5	39.5	32.3					3.5
4.0	57.5	46.6	37.1	30.0	22.1				4.0
4.5	54.5	44.5	34.9	27.8	21.1				4.5
5.0	46.5	41.1	33.2	26.5	19.9	15.8			5.0
6.0	35.2	31.6	29.0	24.1	17.5	15.2	14.3		6.0
7.0	27.8	25.2	23.4	21.5	16.0	14.6	13.7	12.2	7.0
8.0	22.6	20.6	19.3	17.8	14.8	14.0	13.0	11.7	8.0
9.0	18.7	17.1	16.1	14.9	14.1	13.4	12.2	11.2	9.0
10.0	15.4	14.3	13.6	12.5	12.3	12.0	11.3	10.7	10.0
11.0	12.3	12.1	11.6	10.7	10.6	10.4	10.1	9.7	11.0
12.0		10.3	9.9	9.1	9.1	9.0	8.8	8.6	12.0
13.0		8.5	8.5	7.8	7.9	7.9	7.7	7.6	13.0
14.0		6.9	7.3	6.6	6.8	6.9	6.8	6.7	14.0
15.0			6.2	5.7	5.9	6.0	6.0	5.9	15.0
16.0			5.1	4.8	5.1	5.2	5.2	5.2	16.0
17.0			4.2	4.1	4.4	4.5	4.6	4.6	17.0
18.0				3.5	3.7	3.9	4.0	4.0	18.0
19.0				2.8	3.2	3.4	3.5	3.5	19.0
20.0				2.2	2.7	2.9	3.0	3.0	20.0
21.0					2.2	2.4	2.6	2.6	21.0
22.0					1.8	2.0	2.2	2.2	22.0
23.0					1.5	1.6	1.8	1.9	23.0
24.0					1.1	1.3	1.5	1.6	24.0
25.0						1.0	1.2	1.3	25.0
26.0						0.7	0.9	1.0	26.0
27.0						0.5	0.6	0.7	27.0
28.0						*	*	0.5	28.0
29.0							*	*	29.0
30.0							*	*	30.0
31.0							*	*	31.0
32.0							*	*	32.0
33.0							*	*	33.0
34.0								*	34.0
35.0								*	35.0
36.0								*	36.0
37.0								*	37.0

LOAD CHARTS

360 DEGREE RATING - LOADS IN kg x 1000

NO TRAVEL – LEVEL 0° TO 1°

MAIN BOOM with TRACKS RETRACTED									
16.1t COUNTERWEIGHT									
RADIUS (m)	MAIN BOOM LENGTH (m)								RADIUS (m)
	12.8	15.7	18.6	21.5	25.9	30.3	34.7	39.0	
2.5	*	*							2.5
3.0	*	66.8	56.7						3.0
3.5	70.7	64.7	53.3	44.3					3.5
4.0	59.2	54.8	50.1	41.1	30.7				4.0
4.5	50.7	47.1	44.2	38.1	29.2				4.5
5.0	44.1	41.2	38.7	36.2	27.6	22.3			5.0
6.0	34.6	32.4	30.6	28.7	24.4	21.4	20.4		6.0
7.0	27.7	26.3	24.9	23.3	22.2	20.5	19.6	17.5	7.0
8.0	22.2	21.7	20.6	19.3	19.3	19.1	18.6	16.7	8.0
9.0	18.3	17.8	17.3	16.2	16.4	16.3	16.2	15.8	9.0
10.0	15.3	14.8	14.5	13.6	14.0	14.1	14.0	13.8	10.0
11.0	12.8	12.5	12.1	11.6	12.0	12.2	12.2	12.1	11.0
12.0		10.5	10.3	9.7	10.4	10.6	10.7	10.6	12.0
13.0		9.0	8.7	8.1	9.0	9.3	9.4	9.4	13.0
14.0		7.6	7.4	6.8	7.7	8.1	8.3	8.3	14.0
15.0			6.3	5.7	6.6	7.1	7.3	7.3	15.0
16.0			5.3	4.8	5.6	6.2	6.5	6.5	16.0
17.0			4.5	3.9	4.8	5.4	5.7	5.8	17.0
18.0				3.2	4.1	4.6	5.1	5.1	18.0
19.0				2.5	3.4	4.0	4.4	4.5	19.0
20.0				1.9	2.8	3.4	3.8	4.0	20.0
21.0					2.3	2.9	3.3	3.5	21.0
22.0					1.8	2.4	2.8	3.0	22.0
23.0					1.4	2.0	2.4	2.6	23.0
24.0					1.0	1.6	2.0	2.2	24.0
25.0						1.2	1.7	1.9	25.0
26.0						0.9	1.3	1.5	26.0
27.0						0.6	1.0	1.2	27.0
28.0						*	0.8	0.9	28.0
29.0							0.5	0.7	29.0
30.0							*	0.5	30.0
31.0							*	*	31.0
32.0							*	*	32.0
33.0							*	*	33.0
34.0								*	34.0
35.0								*	35.0
36.0								*	36.0
37.0								*	37.0

LOAD CHARTS

360 DEGREE RATING - LOADS IN kg x 1000

NO TRAVEL – LEVEL 0°TO 1°

AUXILIARY NOSE SHEAVE with TRACKS RETRACTED									
16.1t COUNTERWEIGHT									
RADIUS (m)	MAIN BOOM LENGTH (m)								RADIUS (m)
	12.8	15.7	18.6	21.5	25.9	30.3	34.7	39.0	
2.5	*	*							2.5
3.0	*	8.2	8.2						3.0
3.5	8.2	8.2	8.2	8.2					3.5
4.0	8.2	8.2	8.2	8.2	8.2				4.0
4.5	8.2	8.2	8.2	8.2	8.2				4.5
5.0	8.2	8.2	8.2	8.2	8.2	8.2			5.0
6.0	8.2	8.2	8.2	8.2	8.2	8.2	8.2		6.0
7.0	8.2	8.2	8.2	8.2	8.2	8.2	8.2	8.2	7.0
8.0	8.2	8.2	8.2	8.2	8.2	8.2	8.2	8.2	8.0
9.0	8.2	8.2	8.2	8.2	8.2	8.2	8.2	8.2	9.0
10.0	8.2	8.2	8.2	8.2	8.2	8.2	8.2	8.2	10.0
11.0	8.2	8.2	8.2	8.2	8.2	8.2	8.2	8.2	11.0
12.0		8.2	8.2	8.2	8.2	8.2	8.2	8.2	12.0
13.0		8.2	8.2	8.0	8.2	8.2	8.2	8.2	13.0
14.0		7.5	7.3	6.7	7.6	8.0	8.2	8.2	14.0
15.0			6.2	5.6	6.5	7.0	7.2	7.2	15.0
16.0			5.2	4.7	5.5	6.1	6.4	6.4	16.0
17.0			4.4	3.8	4.7	5.3	5.6	5.7	17.0
18.0				3.1	4.0	4.5	5.0	5.0	18.0
19.0				2.4	3.3	3.9	4.3	4.4	19.0
20.0				1.8	2.7	3.3	3.7	3.9	20.0
21.0					2.2	2.8	3.2	3.4	21.0
22.0					1.7	2.3	2.7	2.9	22.0
23.0					1.3	1.9	2.3	2.5	23.0
24.0					0.9	1.5	1.9	2.1	24.0
25.0						1.1	1.6	1.8	25.0
26.0						0.8	1.2	1.4	26.0
27.0						0.5	0.9	1.1	27.0
28.0						*	0.7	0.8	28.0
29.0							0.4	0.6	29.0
30.0							*	0.4	30.0
31.0							*	*	31.0
32.0							*	*	32.0
33.0							*	*	33.0
34.0								*	34.0
35.0								*	35.0
36.0								*	36.0
37.0								*	37.0

LOAD CHARTS

360 DEGREE RATING - LOADS IN kg x 1000

NO TRAVEL – LEVEL 0° TO 2°

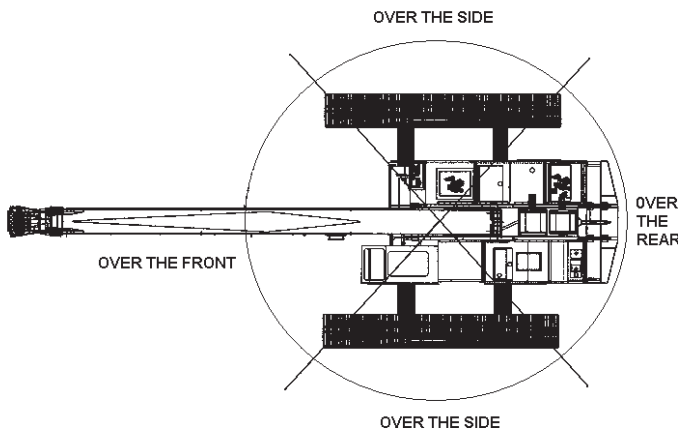
10.7m EXTENSION & 7.6m JIB with TRACKS FULLY EXTENDED						
16.1t COUNTERWEIGHT						
10.7m EXTENSION			7.6m JIB			
Boom Angle	Total Boom Length		Jib Offset Angles			Boom Angle
	23.5m to 45.7m	> 45.7m	0°	15°	30°	
80°	11.3†	11.3†	5.4	3.3	1.8	80°
78°	8.6†	8.6†	5.3	3.1	1.7	78°
75°	7.3	7.3	4.6	2.9	1.6	75°
72°	6.4	6.4	4.2	2.6	1.6	72°
70°	5.6	5.6	3.8	2.5	1.5	70°
68°	5	5	3.4	2.3	1.5	68°
65°	4.5	4.5	3.2	2.1	1.4	65°
62°	4.2	4.2	2.9	2	1.4	62°
60°	3.9	3.9	2.6	1.6	1.1	60°
58°	3.7	3.7	2.1	1.1	0.8	58°
55°	3.4	3.4	1.6	0.5	0.3	55°
52°	3.2	3.2	1.1	*	*	52°
50°	3.1	3.1	0.9	*	*	50°
48°	2.9	2.8				48°
45°	2.7	2.3				45°

LOAD CHARTS

360 DEGREE RATING - LOADS IN kg x 1000

TRAVEL SPEEDS UP TO 1.0 km/h – LEVEL 0° TO 2°

10.7m EXTENSION & 7.6m JIB with TRACKS FULLY EXTENDED						
16.1t COUNTERWEIGHT						
10.7m EXTENSION			7.6m JIB			
Boom Angle	Total Boom Length		Jib Offset Angles			Boom Angle
	23.5m to 45.7m	> 45.7m	0°	15°	30°	
80°	11.3†	11.3†	5.4	3.3	1.8	80°
78°	8.6†	8.6†	5.3	3.1	1.7	78°
75°	7.3	7.3	4.6	2.9	1.6	75°
72°	6.4	6.4	4.2	2.6	1.6	72°
70°	5.6	5.6	3.8	2.5	1.5	70°
68°	5	5	3.4	2.3	1.5	68°
65°	4.5	4.5	3.2	2.1	1.4	65°
62°	4.2	4.2	2.9	2	1.4	62°
60°	3.9	3.9	2.6	1.6	1.1	60°
58°	3.7	3.7	2.1	1.1	0.8	58°
55°	3.4	3.4	1.6	0.5	0.3	55°
52°	3.2	3.1	1.1	*	*	52°
50°	3.1	2.8	0.9	*	*	50°
48°	2.9	2.5				48°
45°	2.7	2.0				45°



TADANO MANTIS GTC-1000EX				
WIRE ROPE LINE PULL CAPACITIES				
PARTS OF LINE	MAIN WINCH (kN)	AUX WINCH (kN)	PARTS OF LINE	MAIN WINCH (kN)
1	101.8	101.8	6	570.1
2	197.6	197.6	7	658.7
3	293.5	N/A	8	745.6
4	387.5	N/A	9	830.7
5	479.7	N/A	10	914.2

22mm diameter wire rope, 35 x 7, Rotation Resistant

PLEASE READ, UNDERSTAND, AND FOLLOW THE MANUALS FURNISHED WITH THE CRANE (OPERATORS AND SAFETY) AS WELL AS THE CAPACITY LIMITATIONS AND GENERAL CONDITIONS LISTED BELOW PRIOR TO OPERATION OF THE CRANE. FAILURE TO DO SO MAY RESULT IN AN ACCIDENT.

This **MANTIS CRANE** as manufactured by **Tadano Mantis Corporation** meets the requirements of **ISO4301/2 or 4308/2**. Structure and stability have been tested in accordance with this standard. Lifting capacities as determined by boom length, angle or radius, apply only to machines as originally equipped by manufacturer and in a properly maintained condition. Capacities given are maximum covered by the manufacturers warranty and are based on a freely suspended load with **NO** allowance for factors as out-of-level operation (beyond the limits specified on the charts), supporting surface conditions, hazardous surroundings, experience of personnel, etc. The operator shall establish practical working loads based on prevailing operating conditions, such as, but not limited to the above. If your application varies from the conditions as set forth in ISO 4301/2 or ISO4308/2 consult your Tadano Mantis Service department for recommendations on adjustments to the rated capacity of the crane.

When making lifts where capacities may be within a zone limited by structural strength, the operator shall determine that the weight of the load is known within plus or minus (+/-) ten percent (10%) before making lift. **DO NOT** lift load or extend boom without counterweight in place. Deductions from rated capacities must be made for the weight of the hook block, hook/ball, slings, spreader bar, or other suspended equipment.

Side pull on boom is extremely dangerous and must be avoided.

DO NOT exceed manufacturers maximum specified reeving.

DO NOT use this chart if wind speed exceeds 36 km/h. Consult the manufacturer for specialized load ratings.

Load radius is defined as the horizontal distance from the axis of rotation (with no load) to the center of the lifting device after load is applied. Boom angle is the included angle between the longitudinal axis of the boom base section and the Horizontal axis, after lifting load. The boom angle before lifting should be slightly greater than desired to account for boom deflection.

Boom angle/boom length relationships given are an approximation of the resulted load radius, which should be an accurate measurement. Boom height dimensions are measured from ground to center of lower boom head sheave.

It is permissible to attempt to telescope boom with a load within the limits of rated capacities. However, boom angle system hydraulic pressure, and/or boom lubrication may affect operation.

It is permissible to travel with loads within the rated capacity of the crane. Travel speeds should be greatly reduced to reflect terrain limitations and minimize dynamic loads applied to the crane structure.

Load moment indicating and anti-two block systems are operator aids and must never be used in lieu of job site lift planning calculations by the operator which must take into account ground conditions, weather and all other environmental factors prevailing at the time of the lift. Prices and specifications are subject to change at any time without prior notice and are for factory installation at the time of original manufacture. Illustrations and photographs may show optional equipment. Supercedes all previous issues. Please see www.mantiscranes.com for most current information.

NOTES:

TADANO MANTIS CORPORATION

1705 Columbia Avenue • Franklin, TN 37064 USA • Toll-Free: 1-800-272-3325 • Fax: 615-790-6803 • mantiscranes.com

TADANO Ltd., International Division

4-12, Kamezawa 2-chome,
Sumida-Ku, Tokyo 130-0014, Japan
Tel: +81 3 3621 7750
Fax: +81 3 3621 7785
E-mail: tdnihq@tadano.co.jp
www.tadano.co.jp/indexe.html

SPECIFICATION SHEET NO. 543-10/11 ISO