

TEREX  **CRANES**

ATT 900



F / GB

PPM

ATT 900

MAIN TECHNICAL CHARACTERISTICS

● TYPE	- 4-axle all terrain crane
● CAPACITY	- 80 tonnes at 3 metres (€€) over 360° - 85 tonnes at 3 metres (85%) over 360° - 90 US tons at 3 meters over 360°
● BOOM	- 53 metres on 6 boom sections - Extension 8 m to 15 m - Offset angle 0°, 15° and 30°
● HEIGHT	- 52 m under hook on main boom - 70 m under hookblock on lattice extension
● HYDRAULIQUE	- 3 main circuits. Independence of each movement
● CHASSIS	- 8 x 6 x 8
● ENGINE	- MERCEDES Euromot 2 - 315 kW (428 HP) Turbo (carrier) MERCEDES Euromot 1 - 125 kW (170 HP) Turbo (upperstructure)
● SUSPENSION	- Hydropneumatic suspension with constant trim and slope level adjustment

WEIGHT

Counterweight \ Axles	1	2	3	4	Total Weight
2,15 t ⁽¹⁾	12 t	12 t	11,8 t	11,8 t	47,6 t
10,75 t ⁽²⁾	14,1 t	14,1 t	14,5 t	14,5 t	57,2 t

⁽¹⁾ 1600 x 25 tyres - 25 t-hookblock

⁽²⁾ 1600 x 25 tyres - 50 t-hookblock - Double extension

GEARS

Gear ratios (Forward/Reverse)	1	2	3	4	5	6	Rear
	1	1	1	1	1	1	1
Speed (low range)	4,27	11,3	16,6	25,7	34,1	41,4	-5,13
Speed (high range)	7,38	19,6	28,7	44,5	59	75	-8,9
Gradeability	44%						
	16.00 R 25 et 20.5 x 25						

Lifting	Main winch: maximum linepull (1st layer/last layer)	8,85 / 6,2 tonnes
	Main winch: maximum single line speed	129 m/mn
	Auxiliary winch: maximum linepull (1st layer/last layer)	5,65 / 4,5 tonnes
	Auxiliary winch: maximum single line speed	88 m/mn
Boom hoist	Time to boom hoist from - 3° to 80°	41 seconds
Telescoping	Time to extend from 11,60 metres to 53 metres	126 seconds
Slewing	Speed of movement	0 à 2,5 rpm
Outriggers	Time to extend horizontal beams	40 seconds
	Time to extend vertical jacks	40 seconds

CARRIER AND POWERTRAIN

- **STRUCTURE**
 - Machine welded carrier frame from HLE steel.
- **OUTRIGGER OPERATION**
 - Dual telescopic beams sections at rear, single telescopic beams at front. Vertical jacks allowing to lift the wheel from the ground.
 - Horizontal beams extended independently. Outriggers controlled from each side of the carrier.
 - Stabilizer pads permanently in position. Stowed by sliding under the outrigger jack.
- **ENGINE**
 - Mercedes OM 501 LA, 6 cylinders in V turbodiesel with intercooler. Water cooled. 315 kW at 1.800 rpm (428 HP). Maximum torque : 2000 N.m at 1,080 rpm. Fuel tank capacity : 430 litres (2 x 215 litres). Complies with EURO II-EC anti-pollution directives.
- **TRANSMISSION**
 - Torque convertor and ALLISON HD 4560 (P) gearbox with 6 forward and 1 reverse gears.
 - Automatic lock-up on all gears.
 - 1 drive/steer axle with inter wheel lockable differential (locked in low range).
- **AXLES**
 - N° 1 drive/steer axle with inter wheel lockable differential.
 - N° 2 - steer axle.
 - N° 3 - drive/steer axle with inter wheel lockable differential.
 - N° 4 - drive/steer axle with inter wheel lockable differential. Electrical retarder.
 - Lockable / delockable front drive axle (automatically locked in 8 x 6). No front/rear differential.
- **SUSPENSION**
 - PPM HYDROSTABLE hydropneumatic suspension :
 - Shock absorption controlled via integrated valves inside suspension cylinders.
 - Hydraulic anti-rolling device stabilizes the crane in corners and bends.
 - Constant trim and slope level adjustment.
 - Suspension hydraulically lockable.
- **STEERING**
 - Power-assisted steering by double steering circuit complying with EC directives.
 - Axles 1 and 2 are steer axles on road (axles 3 and 4 locked).
 - Axles 1, 2, 3 and 4 are steer axles on site.
 - Short radius steer and crab steer on site.
- **BRAKING**
 - Complying with EC directives.
 - Twin pneumatic brake circuit with brake drums on each axle.
 - Emergency brake, independance of the circuits.
 - Emergency brake: spring-loaded on axles 2, 3 and 4.
 - Electrical retarder on axle 4.
 - Exhaust brake (coupled with the electrical retarder in accordance with engine RPM) and turbo motor brake
- **TYRES**
 - Eight 16.00 R 25 or 20.5 x 25 tyres..
- **CAB**
 - Two-seats cab, tinted windows, heater, cataphoresis treated cab to prevent rusting, adjustable mirrors, securit belts, new design.
- **ELECTRIC CIRCUITS**
 - Complies with EC directives.
- **SECURITY DEVICE**
 - Air dryer to clean and dry the air circuit.

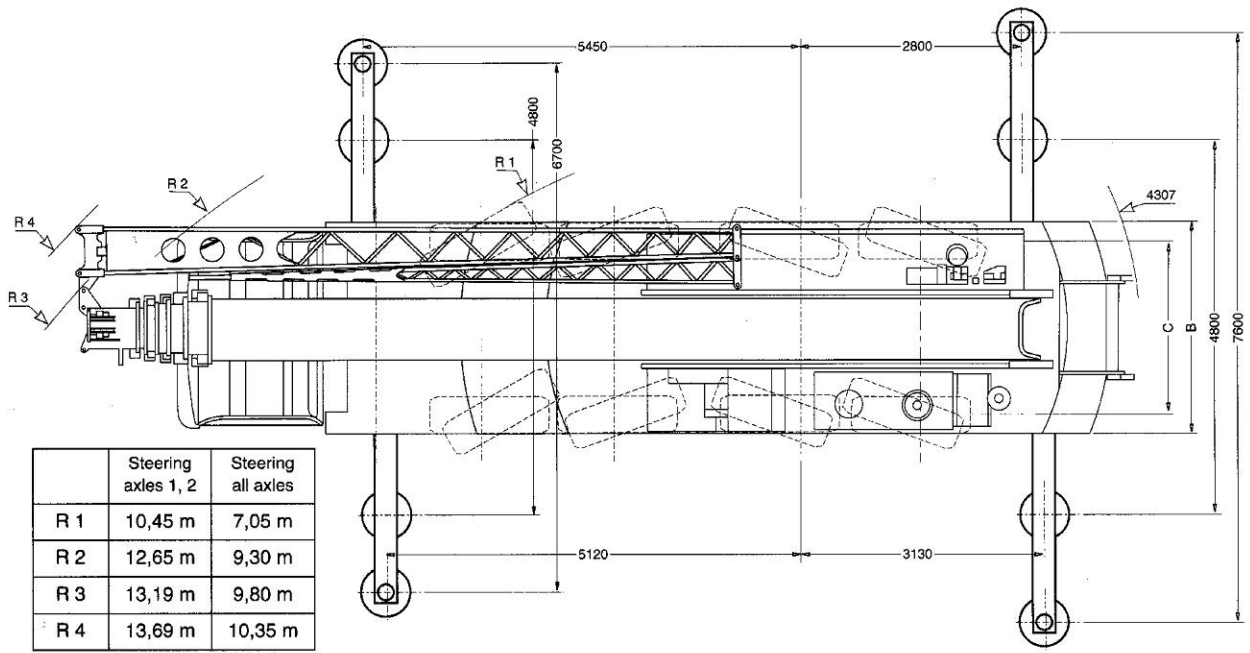
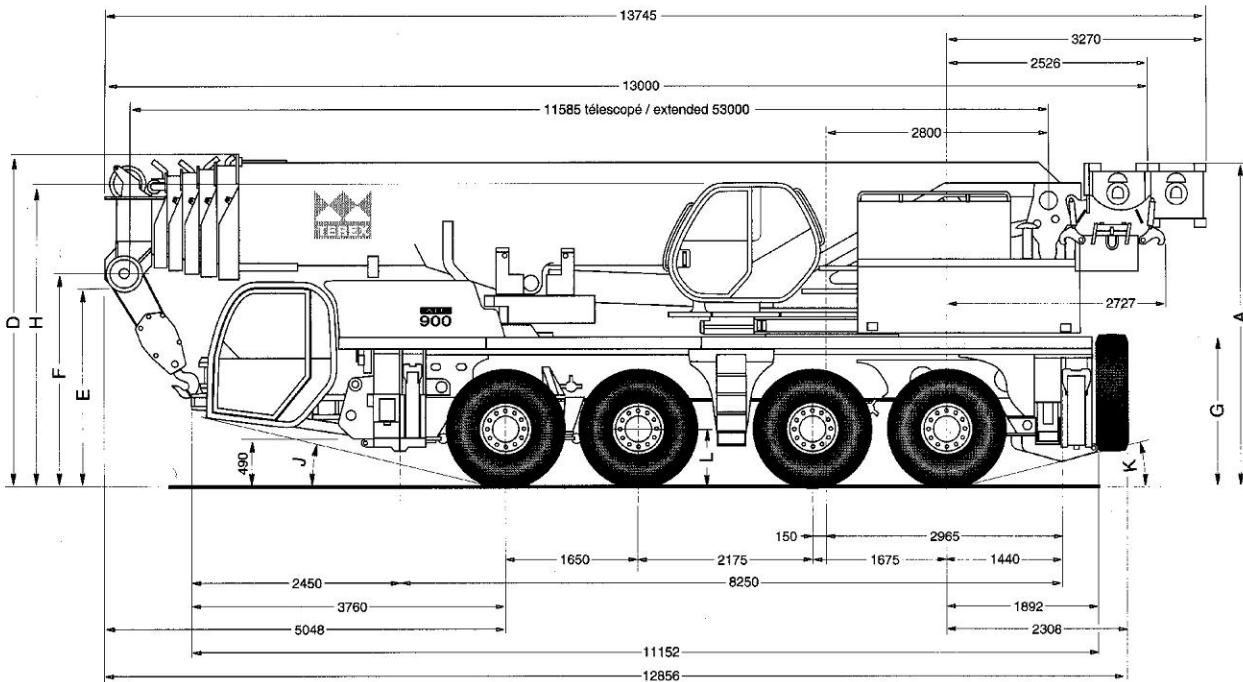
UPPERSTRUCTURE

- **CONSTRUCTION** - Machine welded frame from HLE steel. Ball bearing slewing ring with external gear teeth.
- **ENGINE** - Mercedes OM 904 LA, 125 KW (170 HP), 4-cylinder in line turbo diesel with intercooler. Water cooled. Maximum torque : 660 N.m at 1,200 rpm. 4.25 litre capacity. Fuel tank capacity : 200 litres.
- **WINCH / HOOKBLOCK** - Hydraulic axial piston motor. Integrated planetary reducer. Cable diameter : 19 mm. Maximum cable line speed : 129 m/mn. 50-tonne (9 lines) or 25-tonne (5 lines) hookblocks.
- **BOOM HOIST** - 1 double acting cylinder. Speed of descent controlled by safety valve.
- **SLEWING**
 - Free rotation of the upperstructure with dynamic foot brake.
 - Precise and progressive start of all the movements.
 - Gradual movements with engine at idle.
 - Hydraulic vane motor with planetary reducer. Dynamic hydraulic disc brake integrated in the reducer.
- **TELESCOPING**
 - Hydraulic continuous and sequential telescoping, enabling to telescope with partial load.
 - Time to extend from 11,60 m to 53 m : 126 seconds in extension, 165 seconds in retraction.
 - 6-section boom - 11,60 m to 53 m length.
 - Each section is made of 2 folded U-shape boxes made from high tensile steel.
 - New boom-section guiding system.
- **CAB**
 - Panoramic cab with full visibility and equipped with all the controls for operating the crane in comfort and safety. Tinted windows.
 - 0 to 20° offset angle. Cataphoresis treated cab. New design. Heater.
- **HYDRAULICS**
 - All movements are completely independent.
 - The speed of the movements is independent of the load.
 - Precise and progressive start of movement.
 - Speed of the movements proportional to the joystick angle.
 - Gradual movement with engine at idle.
 - 900 liter tank.
 - 1 main pump 2 x 107 cm³. 1 auxiliary pump of 3 sections (fixed flow).
 - Hydraulic oil cooler.
- **SAFETY DEVICES**
 - LMI (Load Moment Indicator) alphanumeric LCD display.
 - Anti two-block device.
 - 3 wraps remaining safety device.
 - Safety valves on telescoping, derricking and stabilizers.
 - Pressure limiters on all hydraulic functions.

OPTIONS

- Lattice extension : 8 and 15 metres. Offset angles : 0°, 15°, 30° with an hydraulic jack.
- 80-ton (13 lines), 50-ton (9 lines), 40-ton (7 lines), 25-ton (5 lines), 15-ton (3 lines) hookblocks.
- 5-ton single line hookblock.
- Auxiliary winch 4.5 t line pull.
- Spare wheel.
- Winch line speed indicator.
- Towing device.
- Braking ABS.
- Driving from the upper cab.
- Other optional equipments on request.

DIMENSIONS



	A	B	C	D	E	F	G	H	J	K
16.00 R 25	4000	2680	2185	4000	2357	2546	1775	3695	15°	19°
20.5 R 25	3999	2750	2176	3999	2356	2545	1774	3694	15°	19°

Les photos peuvent montrer des équipements optionnels - Nous nous réservons le droit de modifier les spécifications données sans préavis.

TEREX CRANES **S.A.S.**

Z.I. La Saule - B.P. 106

71304 Montceau-les-Mines Cedex - FRANCE

Tél. (33) 03 85 67 38 00 - Fax (33) 03 85 67 38 99

ATT 900 F - GB / 1