



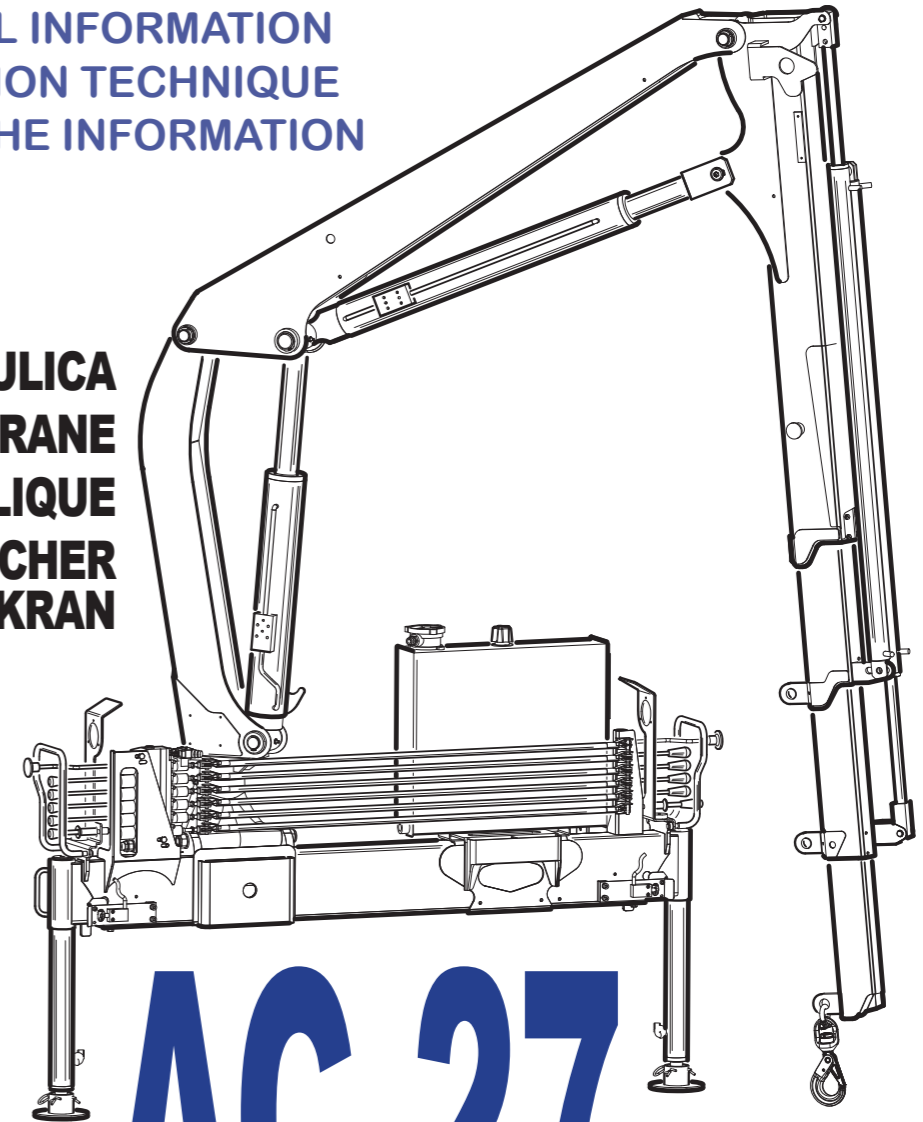


-  **INFORMAZIONE TECNICA**
-  **TECHNICAL INFORMATION**
-  **INFORMATION TECHNIQUE**
-  **TECHNISCHE INFORMATION**

**GRU IDRAULICA  
HYDRAULIC CRANE  
GRUE HYDRAULIQUE  
HYDRAULISCHER  
LADEKRAN**

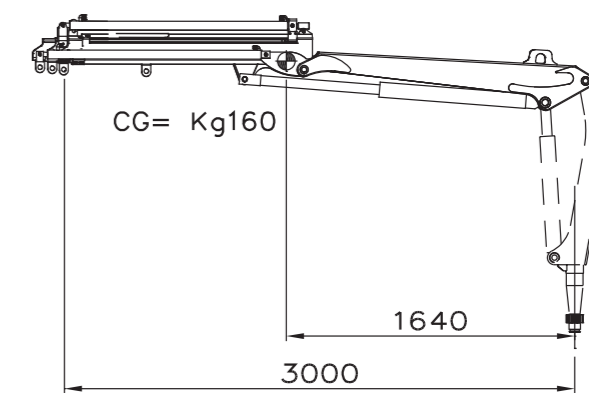
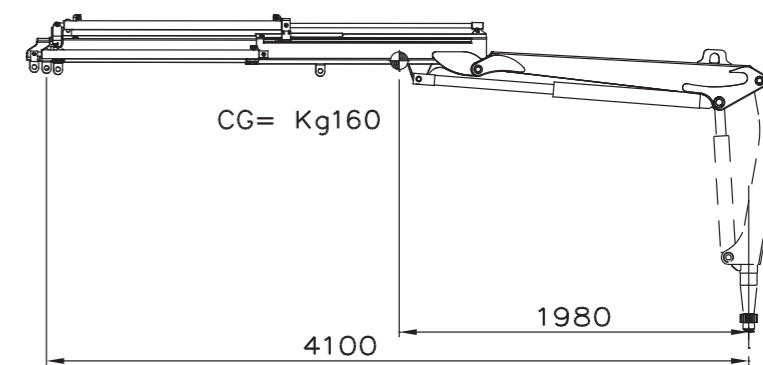
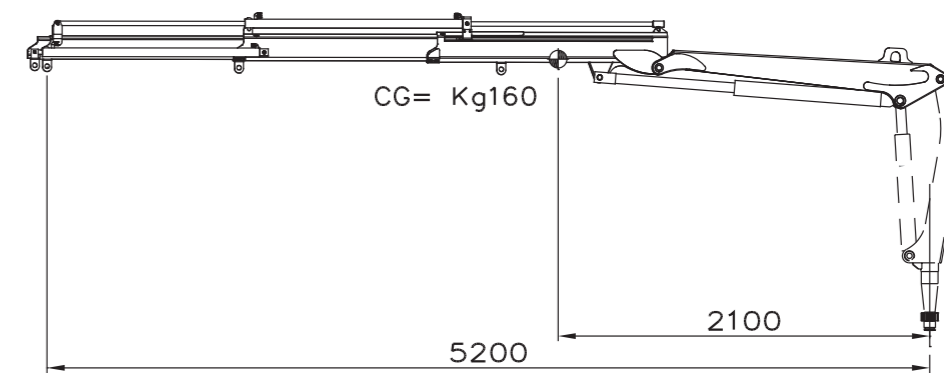
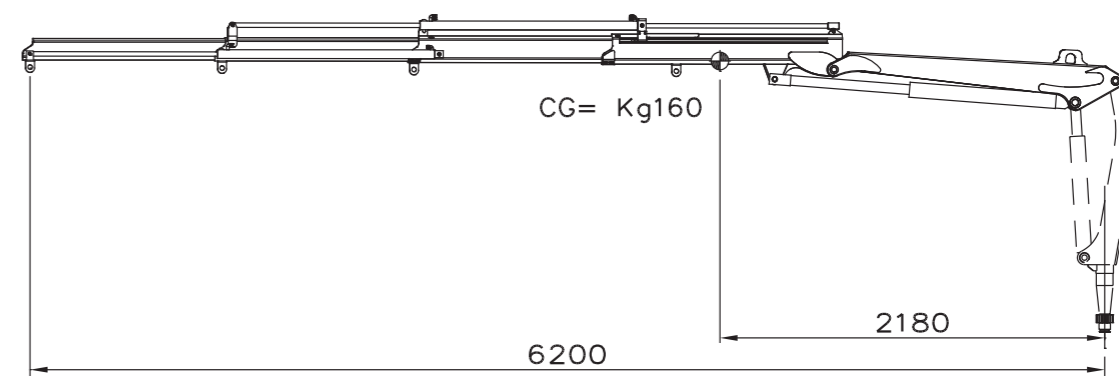


**AC 27**

## 1 DATI TECNICI - SPECIFICATIONS DONNEE TECHNIQUES - TECHNISCHE DATEN

	SF2	SF3
COPPIA DI SOLLEVAMENTO DINAMICO DYNAMIC LIFTING MOMENT COUPLE DE LEVAGE DINAMIQUE DYNAMISCHER HUBMOMENT	<b>27 kNm (3 m)</b> <b>19915 ft.lbs</b>	<b>27 kNm (3 m)</b> <b>19915 ft.lbs</b>
COPPIA DI SOLLEVAMENTO LIFTING MOMENT COUPLE DE LEVAGE MAX. HUBMOMENT	<b>21.4 kNm (3 m)</b> <b>16300 ft.lbs</b>	<b>21.4 kNm (3 m)</b> <b>16300 ft.lbs</b>
MASSIMO CARICO SOLLEVABILE CON BRACCIO PRIMARIO INCLINATO DI 25° CIRCA MAX. LIFTING CAPACITY AT 25 DEGREES MAIN BOOM POSITION PUISSANCE DE LEVAGE AVEC BRAS PRINCIPAL FORMANT UN ANGLE DE 25 DEGRÉS MAX. HUBKRAFT BEI 25° GRAD HAUPTARMSTELLUNG	<b>750 kg</b> <b>1650 lbs</b>	<b>730 kg</b> <b>1610 lbs</b>
MASSIMO SBRACCIO IDRAULICO MAX. HYDRAULIC OUTREACH PORTÉE HYDRAULIQUE MAXIMALE MAX. HYDRAULISCHE REICHWEITE	<b>5.00 m</b> <b>17.0 ft</b>	<b>6.10 m</b> <b>20.3 ft</b>
ANGOLO MASSIMO DI ROTAZIONE SLEWING ANGLE ANGLE DE ROTATION SCHWENKBEREICH	<b>360°</b>	<b>360°</b>
COPPIA DI ROTAZIONE SLEWING TORQUE COUPLE DE ROTATION SCHWENKMOMENT	<b>2.5 kNm (0.255 m)</b> <b>1843 ft.lbs</b>	<b>2.5 kNm (0.255 m)</b> <b>1843 ft.lbs</b>
PRESSIONE MASSIMA DI LAVORO OPERATING PRESSURE PRESSION D'UTILISATION MAX. BETRIEBSDRUCK	<b>19.0 Mpa (190 bar)</b> <b>2755 psi</b>	<b>19.0 Mpa (190 bar)</b> <b>2755 psi</b>
PORTATA D'OLIO CONSIGLIATA RECOMMENDED PUMP CAPACITY DÉBIT DE POMPE RECOMMANDÉ EMPFOHLENE FORDERMENGE DER PUMPE	<b>10 l/min</b> <b>1.9 imp. gal/min</b> <b>2.6 US gal/min</b>	<b>10 l/min</b> <b>1.9 imp. gal/min</b> <b>2.6 US gal/min</b>
MASSA DELLA GRU STANDARD DEAD WEIGHT STANDARD CRANE POIDS MORT DE GRUE STANDARD EIGENGEWICHT STANDARDKRAN	<b>370 kg</b> <b>816 lbs</b>	<b>390 kg</b> <b>880 lbs</b>

### AC 27 - SF3

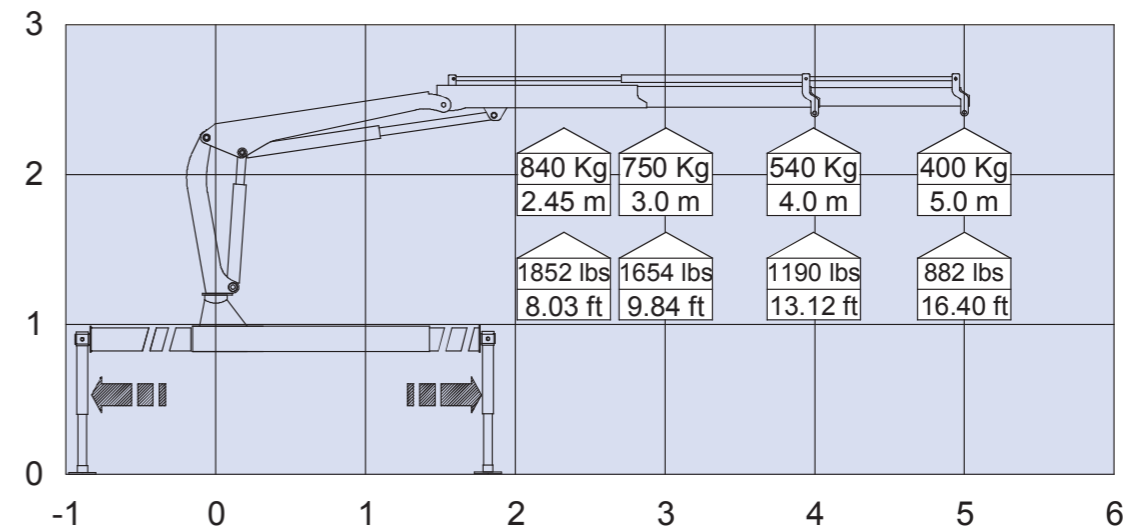




3

DIAGRAMMI PORTATE - LIFTING CAPACITY  
DIAGRAM - DIAGRAMME DE CAPACITÉ -  
TRAGLASTDIAGRAMM

AC 27 - SF2



AC 27 - SF3

