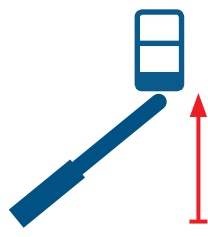
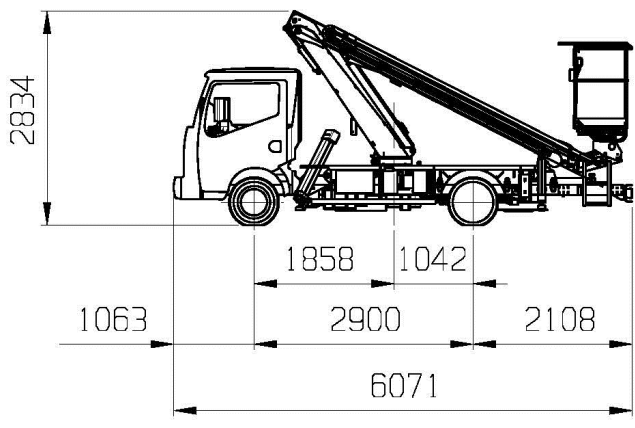
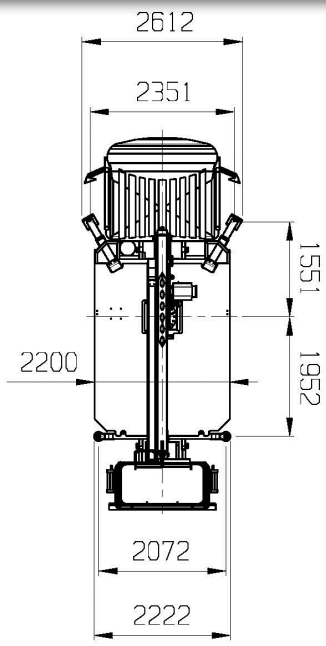




GT 16-09
AERIAL PLATFORM



3.5 t
7716 lbs



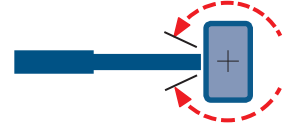
MAX. = 16,00 m
52.49 ft



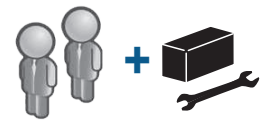
MAX. = 9 m 120 kg
29.5 ft 264 lbs



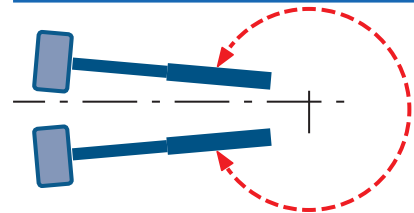
A = 1.1 m 43.3 inch
B = 0.7 m 27.6 inch
C = 1.4 m 55.2 inch



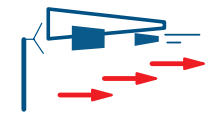
± 60°



MAX. = 200 kg
440 lbs



440°



MAX. = 12.5 m/s
27.9 mph



HYDRAULIC PROPORTIONAL

