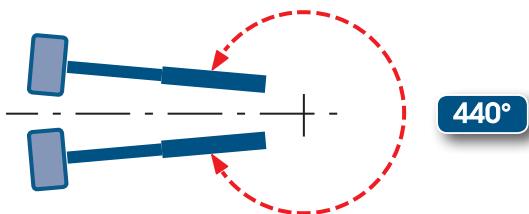
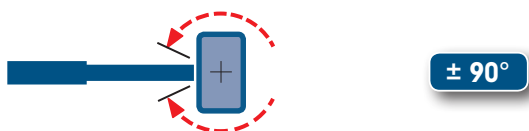
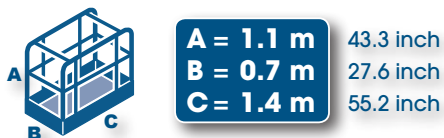
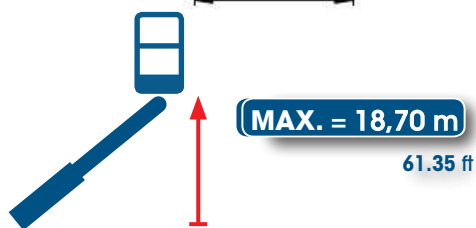
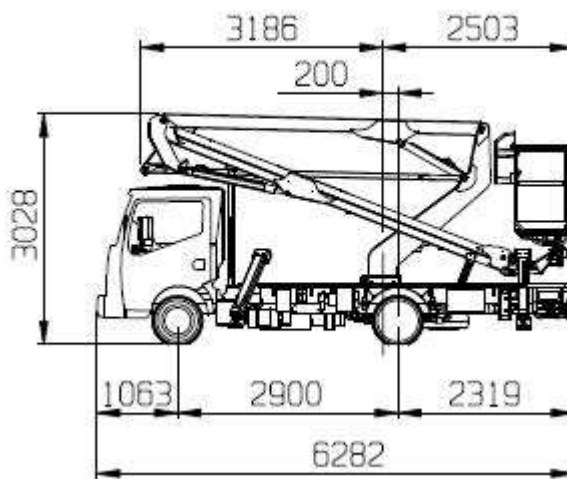
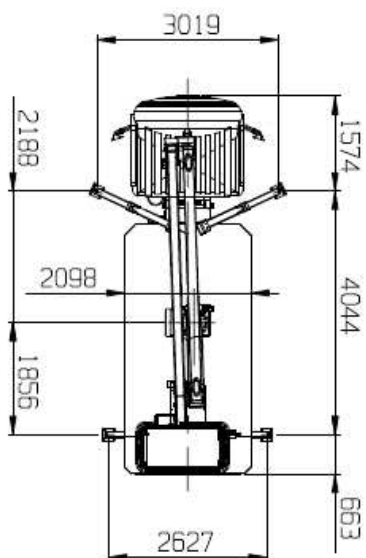




GX 19-10
AERIAL PLATFORM



3.5 t
7716 lbs



HYDRAULIC PROPORTIONAL

