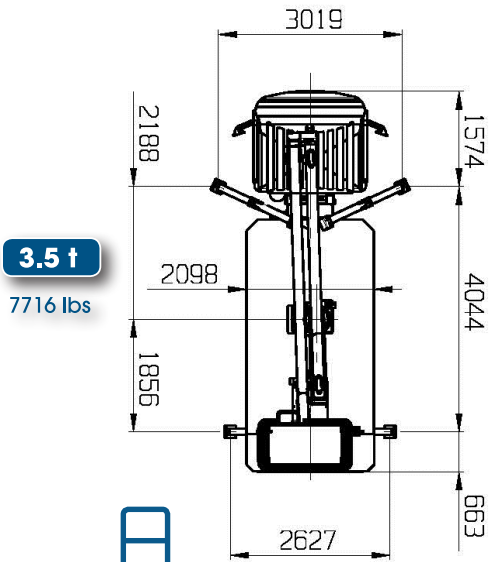


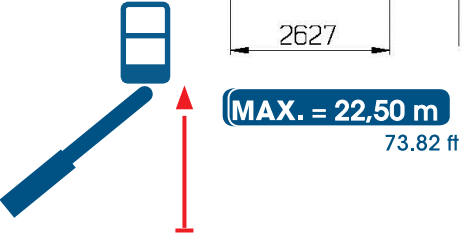
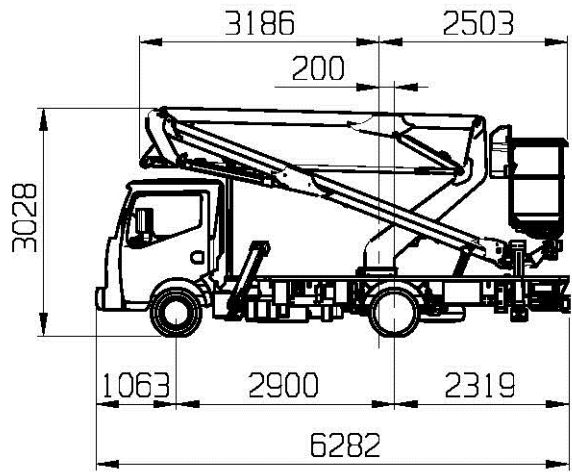


GX 23-12
AERIAL PLATFORM

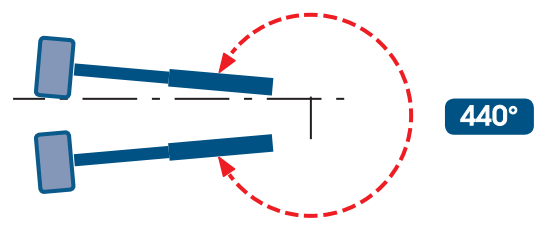
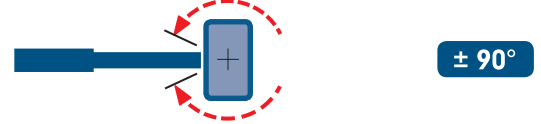
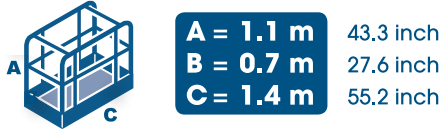




3.5 t
7716 lbs



- MAX. = 11,50 m 80 kg**
37.73 ft 176 lbs
- MAX. = 10,50 m 120 kg**
34.44 ft 264 lbs
- MAX. = 08,80 m 200 kg**
28.87 ft 440 lbs



HYDRAULIC PROPORTIONAL

