

# TM12

## SELF-PROPELLED TELESCOPIC MAST LIFT



- Industry-leading self-propelled telescopic mast lift
- Versatile, robust and simple to use
- Drives through a standard doorway
- 0.5m roll-out extension deck
- Ideal for many applications – from construction to stockpicking!

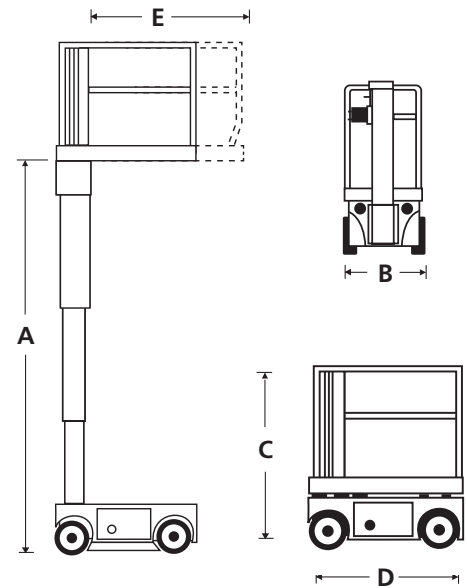
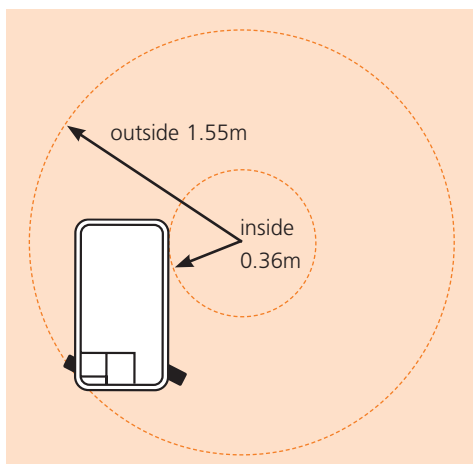
DIMENSIONS	TM12
Max. working height	5.6m
Max. platform height (A)	3.6m
Platform size (stowed)	0.74m x 0.96m
Platform size (extended) (E)	0.74m x 1.46m
Extension deck length	0.5m
Overall width (B)	0.76m
Overall length (D)	1.34m
Stowed height (C)	1.62m
Ground clearance	76mm

PERFORMANCE	
Platform capacity (SWL)	227kg
Max. drive height	3.6m
Max. wind speed	12.5m/s
Max. drive speed (stowed)	3.2km/h
Max. drive speed (elevated)	0.43km/h
Raise/lower time	16/19 sec
Gradeability	25%
Max. operating slope (side to side)	2°
Max. operating slope (front to back)	2°
Inside turning radius	0.36m
Outside turning radius	1.55m
Tyres	279mm non-marking rubber
Parking brake	2 wheel, spring-applied, hydraulically-released with manual overdrive
Drive system	dual front hydraulic motors
Controls	proportional

POWER	
Power source	24V 4hp DC electric motor 4-220 Ah batteries
Battery charger	18 amp

WEIGHT	
Weight	910kg

TURNING RADIUS



STANDARD FEATURES

- Roll-out deck extension
- Hydraulically powered descent
- Proportional controls
- Saloon-door style entry gates
- Descent and tilt alarms
- Emergency lowering at chassis controls
- Non-marking rubber tyres
- Crane lift points
- Horn
- 2 persons indoor
- 1 person outdoor
- Selectable motion alarm
- Integrated battery charger 90V-240V 25A
- Hour meter & on-board diagnostics display
- 2 year parts & labour, 5 year structural warranty
- CE approved

OPTIONS

- Special paint colours
- Environmental hydraulic oil



Vigo Centre, Birtley Road,  
Washington, Tyne & Wear,  
NE38 9DA, U.K.

t: +44 (0) 845 1550 057  
e: sales.emea@snorkellifts.com

www.snorkellifts.com