

nifty

90

TRAILER MOUNTED ACCESS PLATFORM



9.5m (31ft 6in)
Working height

3.5m (11ft 6in)
Working outreach

**Fully Proportional
Hydraulic Controls**
Simple, reliable &
easy to maintain

Compact Outriggers
For setup in confined areas

**Weight Saving
Chassis Design**
Easily towed on the road
& manoeuvred on site

Telescopic Axle
Access through narrow
openings & doorways



niftylift.com

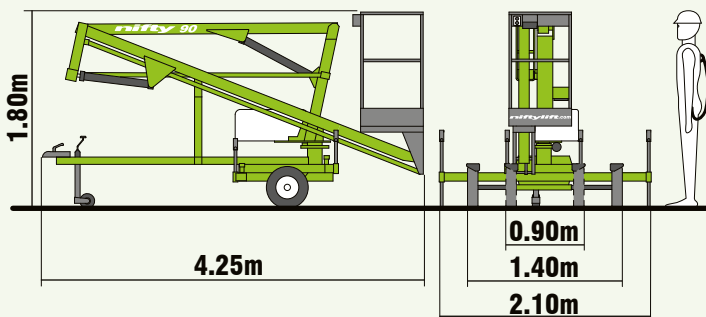
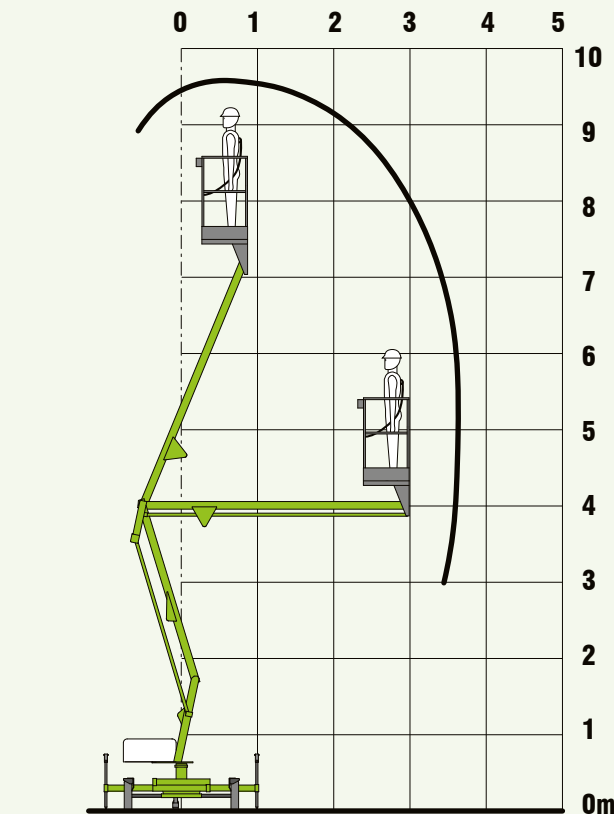


nifty 90

The **Nifty 90** is the ideal alternative to ladders and scaffolds. Its compact design allows it to be set up in the most confined spaces. The telescopic axle allows it to pass through narrow openings and its simple, reliable hydraulic controls make even first time operation straightforward.

SAFETY FEATURES

- Pressure sensitive outriggers
- Audible Alarms
- Manual Recovery with Hand Pump
- Dual Controls (Platform & Base)
- Lock Valves on all Hydraulic Cylinders
- Overrun Brakes with Hand Brake
- Harness Point
- CE Marked



The **Nifty 90's** 3.5m working outreach makes it ideal for reaching up-and-over obstacles and it has a telescopic axle to allow it to pass through a 0.9m (2ft 11in) opening.

SPECIFICATIONS

Working Height	9.5m	31ft 6in
Platform Height	7.5m	24ft 6in
Working Outreach	3.5m	11ft 6in
Slew	360°	
Width - Axles Retracted	0.9m	2ft 11in
- Axles Extended	1.4m	4ft 7in
- Working	2.1m	6ft 11in
Height	1.8m	5ft 11in
Length	4.25m	13ft 11in
Weight	695kg*	1,530lbs*
Platform Capacity	120kg	265lbs
Platform Size	0.6m x 0.6m	2ft x 2ft
Control System	Fully Proportional Hydraulic	
Power System	Mains Only Battery Only	

* Weights may vary according to specification / power options, please confirm before ordering.

Due to a policy of continuing development and improvement, Niftylift reserves the right to change any specification without notice. Please confirm exact specification before ordering.

Supplied by:

**Manufacturers of trailer mounted,
self propelled and vehicle mounted platforms.**



NIFTYLIFT LTD
Fingle Drive
Stonebridge
Milton Keynes
MK13 0ER
England

www.niftylift.com

email: info@niftylift.com

Tel.: +44 (0) 1908 223456

Fax.: +44 (0) 1908 312733